

Section 14

Brake

Pads	4, 7-8,30-37
Pedals.....	52-53
Calipers/Parts	9-23
Forward Controls	50
GMA Brakes	2-8
Hoses	54-56

Master Cylinder

Covers	47-49
Front MC	38-43
Rear MC.....	44-46
Russell	24, 54-55
Rotors	6, 24-29
Piston & Seal Kits	4, 7,14,17, 22
Tees	51,56



Dual Disc Brake Kit

Brake kit allows the conversion of XL, FXR or FXD models with 19" cast wheels to dual disc front brakes. Each kit includes all parts necessary except the brake hose. These kits can also be used with 19" laced wheel assemblies that have the double flange style hub.

67598 FXD, XL 1996-99 (exc 1996-on XL 1200, FXDWG) (44090-96)



T/L Wheel and Brake Kit 2000-04

Kit includes wheel, four piston brake caliper assembly, brake rotor, front axle and necessary mounting hardware. Fits 2000-on FXST, FXSTB and FXDWG models. Does not fit FXSTS or FXSTD. Also requires the separate purchase of front end kit 45332-00 or 45371-00.

90502 44389-00

GMA



7509

GMA Caliper All Front Single Disc 1984-99 "B"

Fits all models except Springers late 1984-99. One piece design bolts directly to lower leg eliminating the need for a bracket. Kit requires 5/8" bore master cylinder for single disc and 3/4" bore master cylinder for dual disc.

7500 (GMA 200F) 2 piston, single disc (pads #7515)

7509 (GMA 200FDD) 2 piston, dual disc



7521

GMA Front Caliper, 4 Piston for 1984-99 FXST, XL, FXR "F" (not Springers)

This is a 4 piston caliper to fit on FXST, FXR, or Sportster 1984-99 single disc models. Complete kit, caliper is clear anodized. Same application as our #7500 2 piston caliper kit.

7521 (GMA 400F) 4 piston, single disc

7556 (GMA 400SC) 4 piston, single disc (chromed)

7554 (GMA 400FDD) 4 piston, dual disc

7560 (GMA 400FDDC) 4 piston, dual disc (chromed)



7506

GMA Rear FXST, FXWG 1984-86 "B"

This caliper kit is a direct bolt-on replacement which fits the 1984-86 FXST and FXWG Softtail frames. Includes all mounting hardware, spacers and brackets. The bracket is black anodized aluminum. Uses stock HD brake line.

7506 (GMA 201ST)



GMA Rear FXST, FXWG Caliper 1987-99 "B"

This rear caliper kit is a direct bolt-on replacement which fits the 1987-99 FXST and FXWG Softtail frames. Includes a one piece, black, anodized bracket, eliminating the need for spacers. Clean and simple. Uses stock HD brake line. Kit requires 5/8" bore master cylinder.

7505 (GMA 202ST) 2 piston design

**Dual
Piston**



46720

GMA Billet Master Cylinder Reservoir

Replaces original plastic unit on 1982-on (41800-81A). Includes billet top, rubber gasket, fitting and mounting hardware. Fits FXST 1984-99, and FLT 1984-94

46720

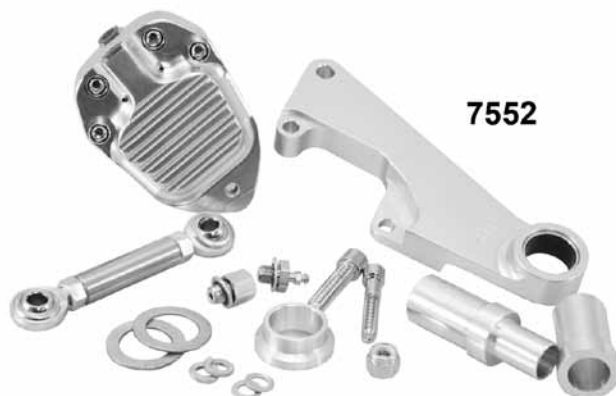
- Advisory from GMA Inc.
- The GMA brakes have to be used with the right size master cylinder otherwise problems will occur with
- pistons sticking and not retracting.
- All single disc applications require a 5/8" bore master cylinder. Dual disc applications require a 3/4" bore master cylinder.



GMA Rear XL Brake Caliper "B"

Caliper and brackets are the same for each kit. Correct brake line adaptor fittings and axle spacers provided for each kit. Each kit requires a 5/8" bore master cylinder.

7527 (GMA 205) Rear kit for XL L1987-99.



7552

GMA Wide Springer Front End Caliper "B"

Front single disc, fits Paughco #181 wide springer front ends. Use Paughco axle kit #186A, 1984-99, single flange hub., FXST or FXWG. If FXWG hub is used with speedo drive, the non-flange side must be notched to accept the tab. For use with 11.5" rotor. Includes bronze washers, rod ends, axle spacer and bushings. Not designed to fit Paughco Springers with shock absorbers.

7552 (GMA 200P)



7550

GMA Rear Swing Arm FXR Caliper L85-99 "F"

This kit includes machined bracket that fits around FXR square swing arm. It is a direct replacement bolt-on fit for FXR bikes. Kit requires 5/8" bore master cylinder.

7507 (GMA 103SA) Kit

7550 (GMA 403SA) 4 piston design

7559 (GMA 403SAC) 4 piston design (chromed)



7514

GMA Front Single Disc FXSTS Caliper 1988-99

Fits FXSTS Springers. Uses factory axle anchor rod and bronze washers (not provided). Kit uses stock OEM master cylinder. Will not fit FLSTS. Rotor available: PC#7575 (GMA R84F)

7514 (GMA 200S) "B"

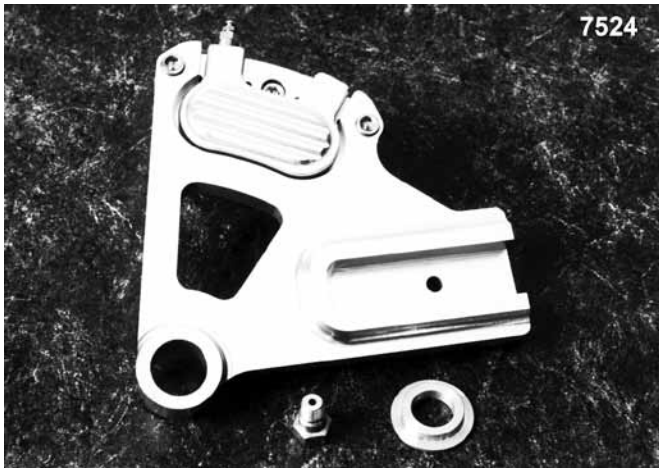
TECH TIP: "Brake Lines and Fittings"

- GMA brake kits are designed to use the stock factory brake lines and fittings. All GMA calipers are drilled and tapped
- 1/8-27 NPT and the correct brake line adapter fittings are included for a no hassle fit.

■ Tech Tip "Rear Master Cylinder"

■ This falls into two categories:

- 1: 1973-mid 1984-These models use a 3/4" diameter bore master cylinder and will not function correctly with GMA multi-piston calipers. The bore is too large and will not create sufficient pressure. We have learned from years of testing that it is absolutely necessary to use a 5/8" diameter master cylinder on all of these models.
- 2: 1984-present-The factory rear master cylinder is a 5/8" bore and will function correctly with GMA rear brake calipers.



GMA Rear Dyna-Glide Caliper 1992-99 "F"

Also fits 1991 Sturgis and Daytona models. This 4 piston design performs exceptionally well when compared to the OEM single piston caliper. The caliper has four 1-1/4" diameter pistons. CNC-machined and bright anodized for a good-looking finish. Works with stock OEM master cylinder.

- 7524** (GMA 400DG) anodized
- 7557** (GMA 400DGC) chrome



GMA Rear FXST, FXWG 1987-99 "F"

4 piston caliper and mounting bracket fits rear Softail 1987-99 FXST, FXWG. Works with stock OEM master cylinder and uses stock HD brake line.

- 7535** (GMA 402ST) 4 piston design anodized
- 7558** (GMA 402STC) 4 piston design chrome



Replacement Parts Model A

PCP	Description
7518	Piston rebuild kit
7517	O-ring rebuild kit
7516	Brake pads
46959	EBC kevlar brake pads

Replacement Parts Model B

PCP	Description
7533	Piston rebuild kit
7517	O-ring rebuild kit
7515	Brake pads
46960	EBC brake pads

Replacement Parts Model F

PCP	Description
7531	Piston rebuild kit
7532	O-ring rebuild kit
7530	Brake pads
46917	SBS ceramic brake pads
46961	EBC brake pads

Tech Tip: Bleeding Problems

This is the single, most common, tech problem. Small motorcycle brakes with multi pistons are difficult to bleed - especially on rear applications where the caliper is higher than the master cylinder. The use of an EZE-bleeder (an inexpensive syringe type bleeding tool that will eliminate all the problems) is recommended.



7580



7582

GMA Calipers Only

PCP	Type	Series	Finish
7580	A	100	Anodized
7581	B	200	Anodized
7582	F	400	Anodized



7581



"F" Style Four Piston Chrome Calipers

Each piece is CNC machined from 6061T6 aircraft quality aluminum and hand polished with a beautiful chrome finish. The chrome processing on aluminum is not an easy or perfect process. Every effort has been made to ensure compatibility and provide quality chrome parts.

GMA400 FC (Front)

7563 Single disc 2000-07



7508



GMA R10 QC (Rear)

Fits Rigid frames 1936-99.
7555 With 3/4" axle



GMA 103 Rear Caliper FLT and Road King

7508	Anodized 1986-99
7604	Anodized 2000-07
7605	Chrome 2000-07

GMA Rotors



GMA 11.5" Floating Rotor Softail 2000-05

Does not fit FXST 2006-on.

7573 Front, single disc (R84FM)

7579 Rear (R79FM)



G.M.A. 11 1/2" Floating & 2 Piece Disc Rotors

These cast iron rotors are supplied with polished aluminum centres. Front rotors are floating and rear rotors are of a 2 piece design. Stock and 2 piston calipers use the same rotor, 4 piston calipers require a special GMA rotor.

Note: these rotors should not be polished or cleaned!

PCP	Fits	Caliper	Mt. Bolts
7571	Rear 1979-99 FXST-FXR	Stk or 2	5382
7572	Rear 1979-99 FXST-FXR	4 piston	5382



GMA Rear 11.5" Rotor XL 1979-99

7585



GMA Rotor for 4 Piston FX and FXST 1979-99

7584 For use with GMA 4 piston caliper (R79Q)



GMA Rear 11.5" Rotor all Softail 1979-99

7583 (R79)



GMA Rear 11.5" Rotor FLT 1986-99

7586 (R86)

Note: Warranty Exception

Do not use pads that are semi-metallic on these rotors. Use only organic pads such as SBS-RQ compound or Vesrah Kevlar green pads. Other brands of organic pads are also acceptable.

GMA does not recommend polishing or chrome plating brake rotors. Warranty is void when rotors are polished or chrome plated



GMA Millennium Series Brake Caliper 2000-07

Four piston caliper fits 2000-07 single disc models except 2006 FXST.

7563 Front single with chrome finish (GMA 400M)

7569 Replacement pads for all 2000-on M series calipers



GMA Millennium Front Brake Caliper 2000-07

Four piston caliper fits 2000-07 dual disc models.

7565 Front dual with anodized finish (GMA 400MDD)

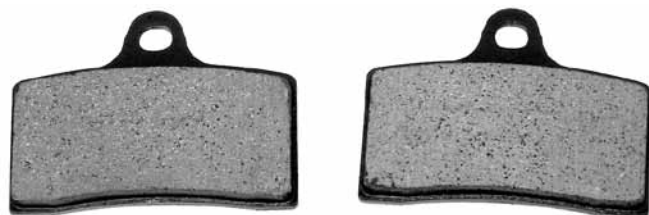
7566 As above, chrome (GMA 400MDDC)

7569 Replacement pads for all 2000-on M series calipers



GMA 4 Piston Front Caliper 2000-07

7564 (400M) (anodized)



GMA Millennium M Caliper Pads

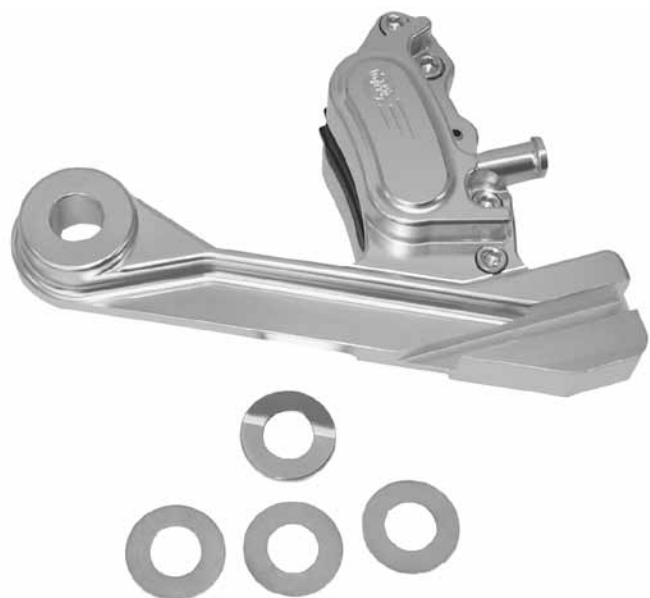
7569



Caliper Piston Rebuild Kit 2000-07

Millenium 2000-07 4 piston caliper kit.

46108



GMA Millennium Rear Caliper FXST 2000-07

7567 (402STM) (anodized) (4 piston)

7568 As above, chrome (GMA 402STMC)



GMA Rear Caliper Kit 2000-07

Fits 2000-07 FLHT, FLTR models. Black bracket.

7604 Anodized caliper

7605 Chrome caliper

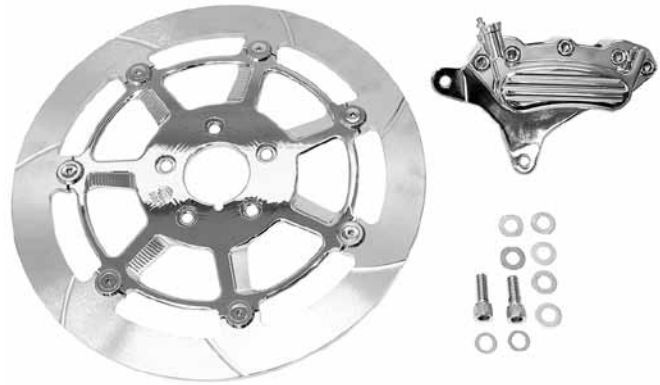


Inside/Out Rear Brake and 70T Pulley Kit

Direct bolt-on, 4 piston chrome caliper and rotor are mounted internally. Ducted fan spokes cool the brake. Ductile iron brake rotor. Each kit includes SS brake lines and all necessary hardware. No welding or machining required except on rigids. Patent #6283255.

7592 FXR models with 1-1/2" belt

7598 Brake pads for above pulley kits



GMA 6 Piston Front Chrome Single Caliper and Floating Rotor Kit 1984-99

7587 (Not Springer or FL models)



GMA Rear 6 Piston Chrome Caliper and Floating Rotor Kit Late 1987-99

7589 Softails



Chrome Caliper Hardware Kit

For use with chrome brake calipers on most 2000-07 models. Does not work on Springer front caliper, 2004-on XL, 2006-on FX Softail rear caliper and 2006-on VRSC models.

29678 44473-02A



GMA S Pad Set for 6 Piston Caliper

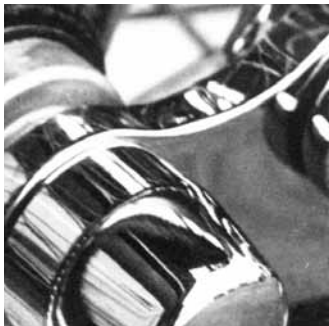
7549 Set (not for brake pulley)



GMA Piston Rebuild Kit for 6 Piston Caliper

7534 Rebuild kit

7537 O-ring rebuild kit



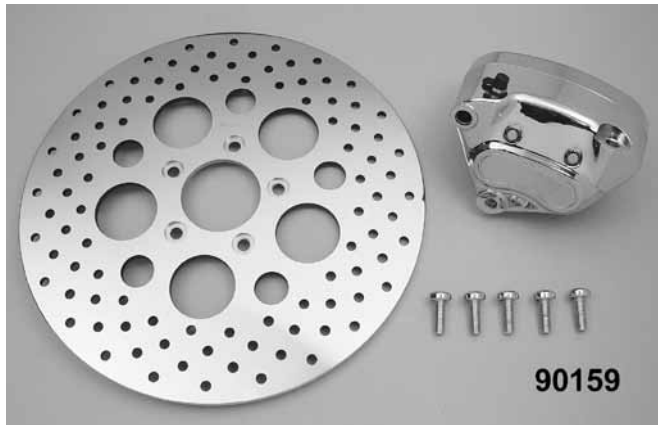
Chrome Brake Caliper Inserts XL 2004-on

Are easily installed with double face tape (included). Sold each.

44100 Rear

44101 Front (w/gold inlay)

2000-on Caliper



90159

Chrome Front Caliper and Rotor Kit 2000-04

Kit fits 2000-04 models and includes a complete chrome replica 4-piston caliper assembly with pads, polished stainless steel, drilled rotor, and chrome mount bolts.

90158 FXST

90159 FXD-XL



61059



61060

Topline Chrome Front Caliper Kit 2000-on

Highly polished chrome kit adds the perfect touch to a stock or custom front end. Brake pads and pad pins are not included.

61059 2000-07 Dyna, Softail and 2000-03 XL with single disc front brakes (not FXSTS or XL 2004) (44395-00A)

61060 2000-07 Dyna, Softail, Touring, 2002-05 VRSC and 2000-03 XL models with dual disc front brakes (44392-00)



24086



10154

Brake Caliper/Pad Pins

PCP Application

24086 Rear Caliper kit L1987-99 (44039-86)

10154 Front and rear pad pins 2000-07 (44314-00) (pair)



46773



46763



61058



61057



46774

Front Caliper 2000-07 and XL 2000-03

4 Piston type caliper includes all internal components.

PCP Description

61057 Left side, black (44046-00D)

46763 Left side, chrome (44046-00)

61058 Right side, black (44023-00)

46773 Right side, chrome (44025-00)

46774 Set, right and left, chrome, 2000-04 Touring



XL Front Calipers 2004-on

Features 4 pistons design and chrome finish.

PCP Description

21735 Left side caliper 04-06 (44121-04)

46118 Piston only 2004-on (42822-04)

46117 Seal kit (43529-04)

44101 Insert 2004-on w/gold (44622-04)



2000-on Caliper



Left Side Chrome Front Caliper Cover

Cover includes chrome trim to conceal mount hardware. Will not fit w/stainless braided lines.

PCP Application

61074 2000-07 FXST, FXDWG (43759-00) (not Duece or Springer)

59091 2000-07 FXD, 2000-03 XL (not FXDWG) (43726-00)(Preston)

Colony Front Brake Caliper Mounting Kit

Chrome plated polished allen bolts and washers to mount front brake caliper on FX, FL and XL 2000-07 models.

72080



29650



29651



29653



29652



Chrome Caliper Inserts

Easy to install, self-adhesive inserts fit 2000-on front and rear calipers except Springer front calipers, 2008 touring, 2006-on VRSC and 2004-on XL models.

PCP Description

29650 Classic (44477-99)

29651 "Harley-Davidson" (44476-99)

29652 Flames (44474-99)

29653 V-wing (44475-99)



29666

29667

Chrome Billet Brake Caliper Inserts 2000-on

These aluminum billet inserts fit front and rear calipers on 2000-on models except Springer front calipers all 2004-on XL and 2006-on VRSC.

29666 Left brake (44492-01)

29667 Right brake (44491-01)



61204



61205

T/L Chrome XL Brake Caliper Inserts 2004-on

Easy to install self adhesive inserts can be pressed onto the brake caliper of 2004-on models.

PCP Design

61204 Classic chrome (44620-04)

61205 Gold flames (44623-04)

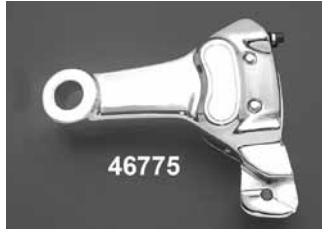


Chrome Caliper Inserts for 2000-07 Models

These chrome plated inserts feature a beveled edge design that fits in 2000-07 calipers except FXSTS and FLSTS front calipers.

44042

2000-on Caliper



BT Rear Calipers 2000-on

- | PCP | Application |
|-------|--|
| 46765 | FXST 2000-07, FLT 2000-01 chrome (44539-02) |
| 61064 | FXST 2000-07, black (not Deuce) (44016-00D) |
| 61101 | FXST/B/S 2006-07 chrome (42047-06) |
| 61075 | FLT 2000-01, black (44080-00B) |
| 61088 | FLT 2002-07, cast finish (44080-02C) |
| 46775 | FLT 2002-07 (44080-02C) |
| 61065 | FXD black 2000-05 (44017-00D) |
| 46781 | FXD chrome 2000-05 (44017-00D) |
| 61076 | FXD 2000-05 chrome w/built-in bracket (44408-01) |
| 61103 | FXD 2006-07, stock finish (42474-06) |
| 46791 | FXD-FXDWG 2006-07 (44017-06) |
| 61104 | FXD/WG 2006-07, stock finish (44017-06) |
| 46791 | Preston as above, chrome |
| 46796 | FXST, FXD, FXDWG 2008-on, chrome (42047-08) |
| 46797 | FLT 2008-on Chrome (44080-08) |

T/L Chrome Rear Caliper Kit FLST 2000-07

Chrome rear caliper bolts to existing mounting holes on 2000-07 FL Softtail, 2000-05 FXST models (except FXSTD) and 2002-04 VRSC models. This kit does not include brake pads or pad pins and will not work with wide tire kits.

61056 44539-02A



FLT 2008-on Rear Caliper

Complete black caliper fits the rear of all Touring models 2008-on. For use with caliper bracket #61117 (44089-08)

61010 44080-08

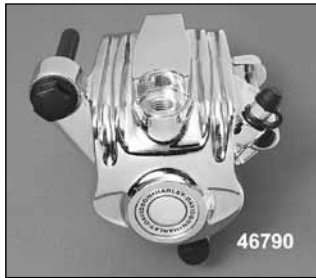


BT Chrome Rear Caliper Brackets

Replace stock unit to accept caliper.

- | PCP | Application |
|-------|---|
| 61102 | FXST/B/C/S, FLSTSE2 2006-07, FLST 2007 (42048-06) |
| 61115 | FXST 2008-on, (42048-08) |
| 61116 | Dyna 2008-on (42002-08) |
| 61117 | FLT 2008-on (44089-08) |

2000-on Caliper



Sportster Rear Caliper 2000-on

- 61062** 2000-03 Black (40925-00)
- 46787** 2000-03 Chrome (40925-00)
- 46790** 2004 Chrome (40968-04)
- 46792** 2005-06 Chrome (40968-05)
- 46793** 2005-06 Silver (40968-05)



Chrome Rear Caliper BT 2008-on

- 46600** 40968-08



Dual Disc Caliper Set

Fits 2008-on FLT Touring models. Includes right and left side.
46749



Rear Brake Line TC 88 2000-on

- 49709** 45156-00



Chrome Rear Caliper Cover 2000-on

(Not with S/S braided lines).

- 63053** 2000-05 FXST & FXD (43553-00)
- 64285** 2000-03 XL (43552-00)

Colony Rear Brake Caliper Mounting Kit

Chrome plated polished allen bolts and washers to mount rear brake caliper on FX, FL and XL 2000-07 models.

- 72081**



2008-on Chrome Calipers

Fits front left side FXST 2008-on.

- 46748** 44395-08

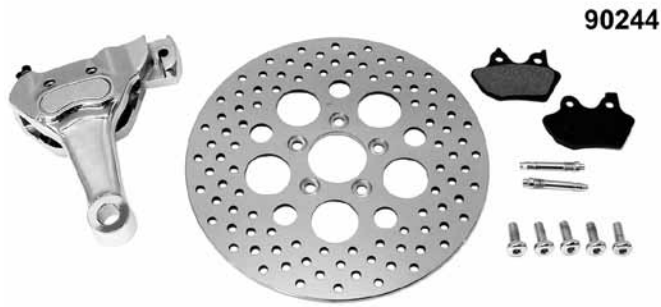


T/L Chrome Rear Caliper Kit 2000-on

Chrome kit bolts directly to existing mounting holes. Brake pads and pad pins are not included.

- 61061** 2000-on FXSTD, 2000-02 Softail with wide tire kit (44414-01)

2000-on Caliper



Chrome Rear Caliper Kit 2000-on

Kit fits 2000-04 models and includes complete chrome replica 4-piston caliper assembly with pads and polished stainless steel drilled rotor with chrome mount bolts.

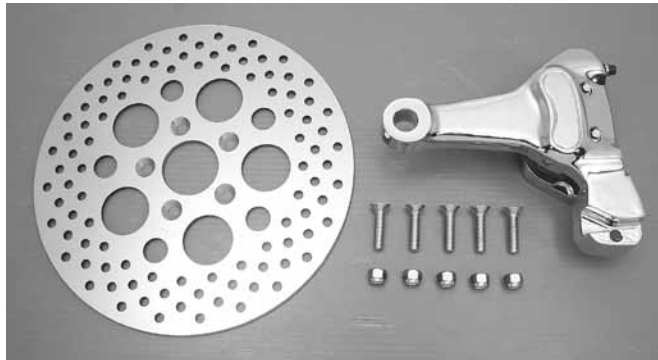
- 90244** Softail 2000-05
- 90164** Sportster 2000-03
- 90269** FXD-FXDWG 2000-05
- 90286** FXD-FXDWG 2006-07



Rear Caliper Kit FLT 2002-07

Kit includes an 11.5" stainless steel, drilled brake rotor and chrome caliper, caliper bracket and rotor mount bolts.

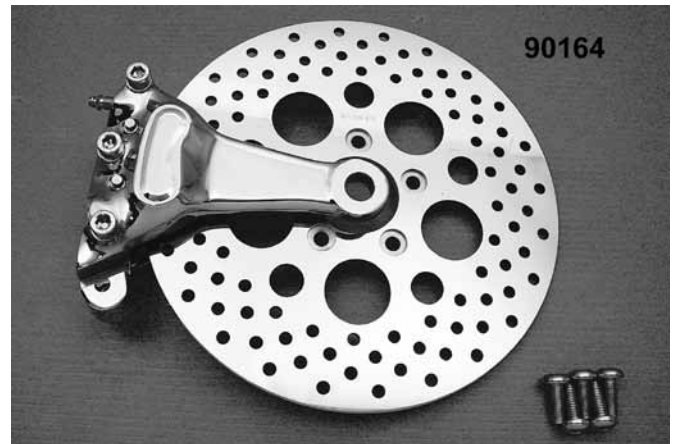
- 90283** FLT 2002-07



FXST Chrome Rear Caliper Kit 1987-99

Includes complete chrome replica 4 piston caliper assembly with one piece integral bracket, pads and polished stainless steel drilled rotor with chrome mount bolts.

- PCP Application**
90245 1987-99



Chrome Rear Caliper Kit for Sportster

Includes chrome 4 piston caliper, and polished stainless steel and drilled 11.5" rotor with screws.

- 90164** 2000-03
- 90258** 2004
- 90335** 2005-06



Chrome Dura Billet Rear Caliper Kit

Includes caliper, bracket and polished stainless steel rotor with bolts. Fits FXST models.

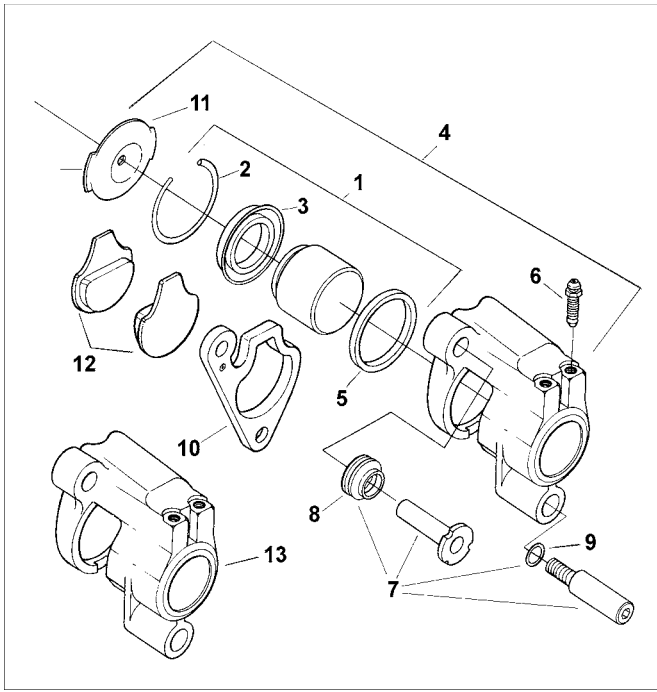
- PCP Years**
90281 1987-99
90282 2000-05



FX Rear Chrome Billet Caliper 2000-04

4 Piston design includes pads.
59673

1984-99 Calipers



1984-99 Front Caliper & Parts, Stock Finish

PCP	Description
1 46400	Piston rebuild kit all 1984-99 (44020-83)
2 11088	Retaining ring all 1984-on (44021-83) (10 pack)
3 2979	Dust boot with seal all 1984-on (44022-83)
4 61011	Black caliper assembly R/S FLT 1984-99, FXDL/S 1993-99 (44023-83C)
61000	Black R/S caliper Springer 1988-99 (44077-88D)
61017	Black R/S caliper FXSTSB 1995-on (44081-95)
5 14077	Seal all 1984-99 (44047-83) (5 pk)
6 46110	Bleeder screw all 1984-99 (44048-83) (5 pk)
7 46120	Guide pin kit all 1984-91, FXST 1993-95, FXSTSB (44053-83B)
61034	FLT-Dyna-FXST/F/N 1992-95 (44053-92A)
8 23012	Boot all 1984-99 (44054-83) (each)
9 14568	O-ring all 1984-99 (44059-83) (10 pk)
10 61031	Bracket L/S caliper 1992-95 FLT, Dyna, FLST/F/N (44072-92A)
61032	Bracket R/S caliper 1992-95 FLT (44073-92A)
61033	Bracket, caliper 1988-on FXSTS/B (44074-88B)
11 46121	Retaining pad all 1984-99 (44062-83)
12 3974	Pad set (for 1 caliper) all 1984-99 (44063-83C)
13 61012	Black caliper assembly L/S FLT, FXST 1984-99 (not FXSTS/B), Dyna 1991-99, XL 1984-99 (44046-84C)

OEM Style Front Calipers

Offered complete in stock black or chrome finish for 1984-on.

PCP	Fitment
61012	Black caliper assembly L/S FLT FXST (not FXSTS/B), Dyna 1991-on (44046-84C)
46758	As above, chrome
61011	Black caliper assembly R/S FLT 1984-99, FXDL/S 1993-on (44023-83C)
46759	As above, chrome



Edart Billet Front Calipers

One piece design includes bracket for 1984-99 ST and XL models.

PCP	Piston
21641	1
21878	4



Pin Brake Guide Kit FXE, FXWG 1983-on

10151 44212-82A

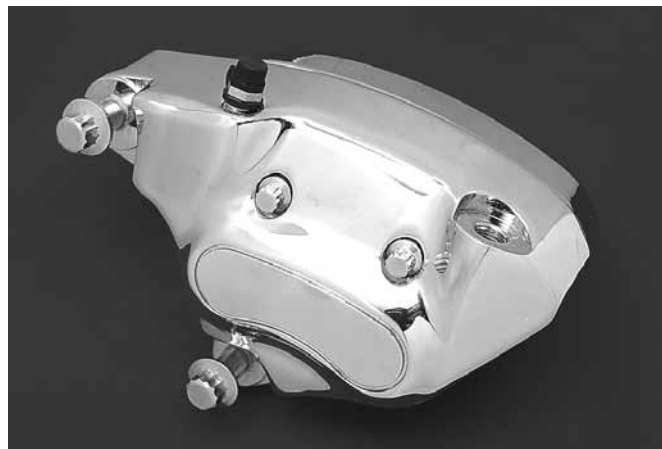
1984-99 Calipers



FX Chrome Front Disc Caliper 1984-99

Available as right or left assemblies or as a set for 11" rotors. Includes all internal components and pads.

PCP	Description
59674	Set, right and left
46769	Right only
46760	Left only



Chrome 1984-99 Left Side 4 Piston Caliper

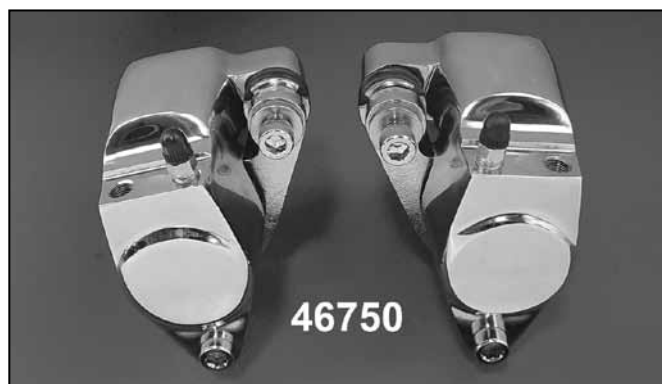
Features 2000-on styling for use on 1984-99 models. 46761



Edart Chrome Front Caliper Kit

Includes chrome 2 piston caliper and brackets to fit Wyatt and Paughco spring forks.

21640



Chrome Custom Front Caliper 1984-99

These replacement front calipers offer OEM performance with a smooth chrome finish. Caliper assemblies are complete for models listed.



PCP	Description
46750	Dual set for all FXR, Dyna, XL 1984-99 equipped with dual rotors
46760	Left side caliper for all single disc 1984-99 (not Springers and BT 4 speeds) (44046-84B)
46769	Right side only 1984-99



Chrome Banjo Bolt Kit

Kit includes one 7/16" banjo bolt, three 3/8" banjo bolts, and 8 sealing washers. Use to replace the original 12 point zinc brake line hardware on 1991-03 XL, 1991-on Dyna, 1995-on Softail, and 1999-00 FXR models with single front brake. Does not work with banjo bolt cover #3275-98.

29679 41842-06

1984-99 Calipers

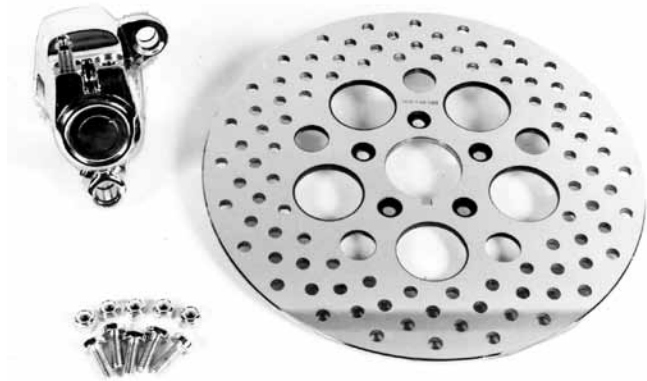


11-1/2" 1984-99 Chrome Left Side Front Caliper

Caliper kit includes polished stainless steel Dura rotor with bolts and chrome caliper half with brake pads and hardware. Use existing caliper mount bracket.

90141 Fits FXST, FLST, FXDG (41 mm forks)

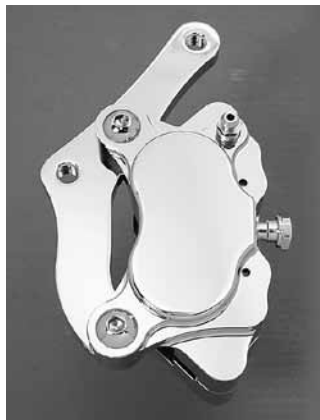
90142 Fits FXD, FXR, XL 1984-99 (39mm forks)



1988-99 FXSTS Chrome Front Right Side Caliper and Polished Rotor Kit

Kit includes rotor bolts and brake pads. Use existing caliper mount bracket and hardware to ease installation.

90143

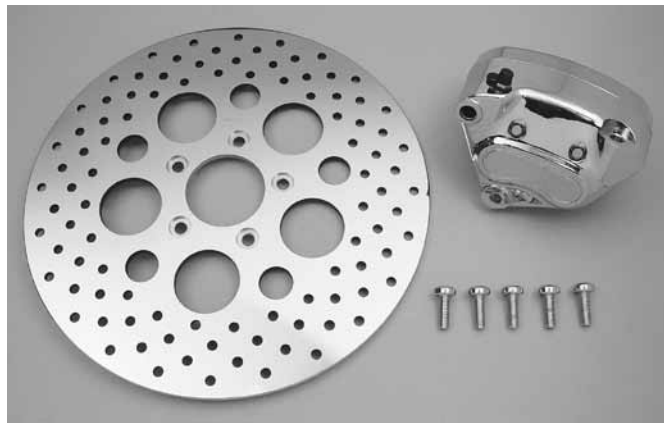


Chrome Billet Caliper

Features 4 piston design with mount brackets included. Fits 1984-99 FXST front.

21761 Caliper (left side)

21815 Rebuild



Chrome Front Caliper Kit 1984-99

Kit features a 4 piston chrome caliper and a polished stainless steel Dura rotor.

90189



63055



63056

Chrome Full Caliper Cover

Quick and easy to install without the use of tools. Smooth chrome cover fully hides the stock black caliper .

PCP Application

63055 Front, Left Side 1984-99 (43260-98)

63056 Rear 1987-99 (except FLHT, FLHR, FLT, FLSTN, FLSTF models with shotgun exhaust) (43261-98)



FLT Caliper Covers

Easily attaches with included hardware to the front disc brake caliper.

3238 1984-98

1984-99 Calipers



Chrome OEM Style Calipers 1984-99

Nice reproductions of OEM front calipers. Included with each caliper is the bleeder screw and piston/dust boot installed.

46751 Fits front right side of all 1984-99 FLT's, and FXRT/FXRS-SP/FXRS-CON, and 1993-99 FXDL & FXDS-CON, also all 1984-99 Sportster (replaces 44023-83B)



Rear Calipers 1982-99

Completely assembled with piston and seals for exact stock replacement.

PCP	Application
46753	1982-86 FX (44050-82A)
46752	1987-99 FXST, no pads or hardware (44050-87)
46768	As above with pads
46772	1987-99 FXST 4 piston with integral bracket
46809	1986-99 FLT (44050-87A)

L1987-99 Rear Brake Components with Stock Type Finish

PCP	Description
1 61001	Master cylinder FLT 1987-91 (black) (41755-86)
46786	As above with chrome finish, remote mount
61063	Master cylinder FLT 1992-94 (41755-92A)
61066	Master cylinder FLT 1995-96 (41755-95)
61067	Master cylinder FLT 1997-98 (41755-97A)
61013	Master cylinder Touring-FXST 1999-04, FLST 2000-on (41755-99C)
2 61002	Rebuild kit FLT 1987-91 (42374-86)
3 61003	Master cylinder kit FXST 1987-00, FXR L87-94, FLT 1992-07, FLST 1987-on, Dyna 1991-on (42382-87C)
4 61004	Master cylinder complete FXST 1987-99, FXR L1987-94 (42446-87B) (black)
46778	As above with chrome finish
5 61005	Cylinder body repair L1987-99 (Not FLST/F) (42452-87)
6 61006	Master cylinder complete FLST/C/N/F, L1987-99 (42468-87D)
61014	Dyna 1991-05, FXDG 1991-05 (42474-90B)
7 61007	Piston repair kit FLT 1987-99, FXST, FXR, XL L1987-99, Dyna 1991-99 (43946-86)
8 61008	Seal & boot kit (as above) (44045-87)
9 61009	Rear caliper assembly Dyna FXST/FXR, FLT L1987-99 (44050-87)
61064	Caliper FXST 2000-07, FLT 2000-01 (44016-00B)
61065	Caliper FXD 2000-05 (44017-00D)
10 25146	Gasket FLST 1985-99, Dyna 1991-on (45005-85)
23063	Gasket Touring-FXST 1999-on, FLST 2000-on (42455-99)

1984-99 Calipers



XL Rear Calipers 1982-99

PCP	Application
46771	Chrome 1982-E87 (44050-82A)
73604	Chrome Bolt kit for above (2 pieces)
61009	Black L1987-99 (44050-87)
46752	As above with a smooth chrome finish (no pads)
29115	Black bolt kit for above 1987-99 (44039-86)
24086	Chrome bolt kit for above (44039-86)
24087	Chrome bolt kit for above (44201-82)

Chrome Brake Caliper Inserts

Easy to install inserts include double face tape and are sold each.

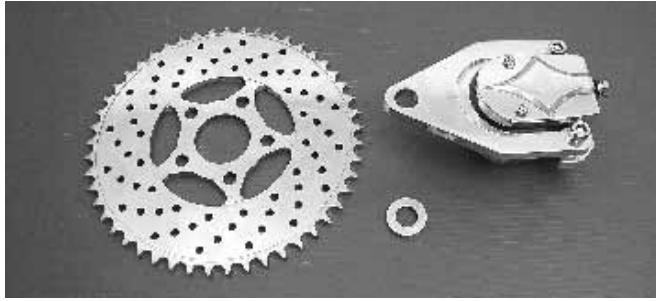
PCP	Diam.	Application
44052	1.80"	1987-99 Hayes rear XL-FXR-FXST
44053	1.47"	1984-99 Front and 1982-E87 Girling rear XL-FXR-FXST



Rear Caliper Brackets 1982-99

PCP	Application
27250	FXR 1982-E87 (44205-82)
27251	FXR L1987-94, chrome (44205-87)
61100	As above black (44205-87)
27252	Dyna L1990-99, chrome (44309-98)
27253	FXST 1984-87 (44207-82)
27144	FXST L87-99 (44207-87)
27145	As above, chrome (44207-87)
27254	FLT 1986-99 (44034-86)
27256	XL L1987-99 (40929-87)

Rear Caliper Kits



Edart Caliper-Rotor Set

Includes 2 piston chrome billet caliper, polished rotor/sprocket combination with 50T for 1" or 3/4" axle. Order bolt kit separately.
90191



GMA Rear Caliper and Imported Rotor Kits

These dual piston calipers are machined from billet aluminum, clear anodized for outstanding performance and trouble-free service. We have added a steel drilled disc rotor to complete the kit. Includes caliper assembly, rotor, hanger bracket, and hardware.

90126 FXST 1987-99 with 11 1/2" rotor

Note: GMA recommends the use of a 5/8" master cylinder



FXST Right Side Rear Caliper Kit 1986-99

Includes curved license plate mount and spacer to fit 3/4" or 1" axle.
21709



Unitized Caliper Bracket

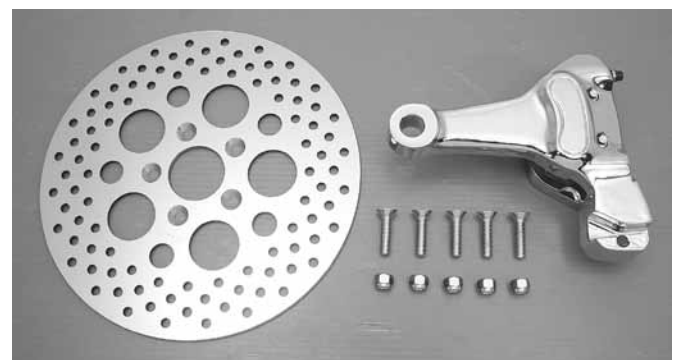
Will accept billet and curved license plate assembly with 3/4" and 1" axle.

PCP	Item
21702	RS Bracket
21703	LS Bracket
21704	Caliper only



Billet Caliper Kit

Features 4 piston design for 1987-99 FXST models. Order rotor separately.
21762

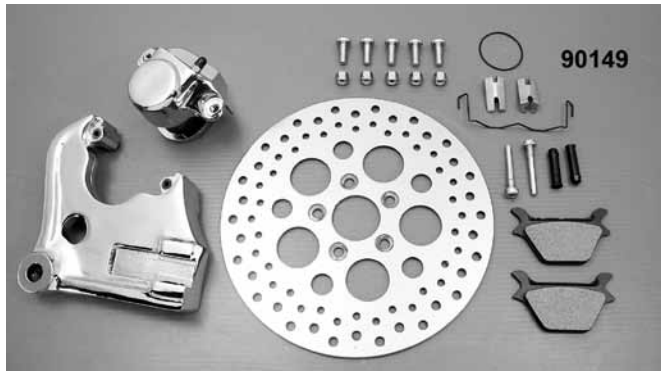


FXST Chrome Rear Caliper Kit 1987-99

Includes complete chrome replica 4 piston caliper assembly with one piece integral bracket, pads and polished stainless steel drilled rotor with chrome mount bolts.

PCP	Application
90245	1987-99

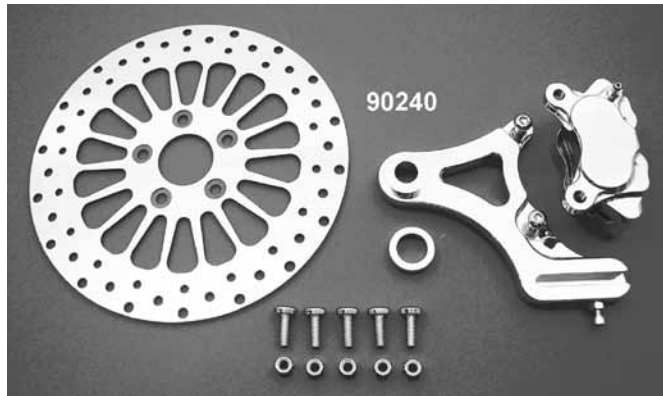
1987-99 Caliper Kits



Rear Caliper Kit 1990-99 FXD

Kit includes an 11.5" stainless steel, drilled brake rotor and chrome caliper, caliper bracket and rotor mount bolts.

90149 FXD 1990-99



Chrome Billet Rear Caliper Kit 1987-99 Softail

Kit as shown includes chrome caliper, bracket, and polished rear rotor.

90240 18 Spoke style rotor



Rear Caliper Kits W/SS Rotors for XL 1982-99

Includes GMA caliper with bracket and standard 11-1/2" stainless steel rotor with mount bolts. Use with 5/8" master cylinder.

90235 L1987-99



Rear Caliper Kit

Includes complete chrome caliper, chrome caliper bracket, 11-1/2" stainless drilled polished brake rotor and chrome rotor mount bolts.

PCP Application
90134 1987-99 FXST, FLST



Chrome Rear Caliper Kit for Sportster

Includes chrome 4 piston caliper, and polished stainless steel and drilled 11.5" rotor with chrome mount bolts.

90236 L1987-99



Chrome Rear Caliper Kit for Sportster 1982-86

Includes chrome caliper, and polished stainless steel and drilled 11.5" rotor with chrome mount bolts.

90192

1987-99 Caliper Kits



XL Chrome Rear Caliper Kit 1987-99

Replica style includes bracket and caliper with pads. Uses stock brake lines.

90265



Rear Caliper Kit

Includes complete chrome caliper, chrome caliper bracket. 11.5" stainless, drilled, polished brake rotor and chrome rotor mount bolts. Fits 1987-89 FXST, FLST.

90288



Edart Billet Caliper Kit

Fits 1988-on FXST. 4 Piston design for front springer forks.

21877



Dura Rear Caliper Kit

Features chrome billet caliper and bracket to fit 1987-99 FXST models. 11.5" Razor rotor included.

90266



Edart Billet Caliper

Fits front and rear 1986-99 ST. Order rear bracket separately.

PCP Item

21878 4 Piston caliper 1984-99 FXST

21881 Bracket



FLT 1987-94 Chrome Rear Caliper Kit

Features chrome caliper, bracket and rotor mount bolts as well as an 11.5" stainless, drilled and polished brake rotor.

90230

Caliper Parts



Front & Rear Caliper Piston Service Kit

- 46108** All 2000-07 (T/L) (44313-01)
- 46122** Preston as above



Caliper Piston Rebuild Kit

- 46400** Front 1984-99 (Preston) (44020-83)
 - 46401** Rear brake caliper piston BT, XL 1987-99 (43946-86)
- ### Rear Caliper Piston Kit
- 61007** FXST, FXR, XL L1987-99, FLT 1987-99 (43946-86)
 - 4816** Rear caliper piston only 1982-E87 (44208-82)



Black Caliper Mounting Kit

Rear caliper mounting kit includes guide pins and bushings. Fits all FLT 1986-99 and all BT and XL L1987-99.

- 29115** 44039-86A



Caliper Mount Bolt Kits

Mount through caliper to bracket.

- | PCP | Type | Application |
|--------------|----------|--|
| 24086 | 12 Point | Rear 1987-99 FXST-FXR (44039-86)
Chrome |
| 24088 | Allen | FXST, FXD, XL 2000-07 |
| 24090 | 12 Point | FXST 2006-07 |



Caliper Seal Kits

These kits include seal and dust boot.

- | PCP | Fits |
|--------------|--|
| 14090 | Rear caliper FXST, XL, FXR L1987-99 and FLT 1986-99 (44045-87) |
| 2977 | Front calipers on Big Twins and Sportsters® 1984-99 (44047-83, 44022-83) |
| 2979 | Rear calipers on Sportster® and FXR 1982-E87, Softails® 1984-E87, FXWG 1983-86, and 4 speed FX 1984-E87. Note: Seal kit only was not available OEM. This 2 piece kit fits OEM 44208-82 caliper piston (44022-83) |
| 865 | FL/FLHT, FLT 1980-85 with dual piston caliper. Includes one each of 43945-79 & 43947-79. 2 required per caliper (43945-79, 43947-79) |
| 46114 | Front and rear all 2000-07, XL 2000-03 (44315-00) |
| 46116 | Rear caliper XL 2004-on |



Complete Rear Caliper Rebuild Kit 1987-99

Includes all necessary hardware, piston and seal kit for a complete caliper overhaul.

- 46029** FXST, FXR, FLT
- 46030** FXD



Chrome Disc Brake Caliper Mounting Bolt Kit

Allens for BT and XL models.

- | PCP | Application |
|--------------|------------------------|
| 24079 | All 2000-07 |
| 24080 | All 1993-99 |
| 24081 | All 1983-92 |
| 24082 | FXSTS Springer 1988-on |
| 24083 | FLSTS Springer 1997-on |

Caliper Parts



Double Line Banjo Bolt

Use this banjo bolt for your dual caliper applications and eliminate the need for "T" fittings. The banjo allows lines to be run directly from caliper to master cylinder on front dual disc models; or to link two rear calipers together. Fits most front dual disc master cylinders, rear calipers and rear master cylinders 1982-on with 3/8"-24 thread.

24024 Chrome (each)



Brake Line Banjo Bolts

Chrome plated domed hex bolt or allen bolt fits front and/or rear master cylinders and calipers with 10mm brake line. Replaces OEM 41747-82A. Includes 2 copper crush washers.

PCP Style

72190 Domed hex

72191 Allen

Brake Line Banjo Bolts

Chrome plated domed hex bolt or allen bolt fits front master cylinder with 12mm brake line. Replaces OEM 41739-84A. Includes 2 copper crush washers.

PCP Style

72192 Domed hex

72193 Allen

Brake Line Banjo Bolt Crush Washers

Copper crush washers for 10mm brake line banjo fittings replace OEM 4171-82A. Washers for 12mm brake line banjo fittings replace OEM 45583-83. Sold in 10 packs.

PCP Style

72206 10mm

72207 12mm

Rear Caliper Bushings

Fits BT 1987-99. Pair.

29120 44035-86A



Caliper Mount Bumper

23058 All FLT, FXST, FXR 1987-99 (44199-79)

23055 All Dyna 1991-99 (44196-90)



Brake Banjo Seal Washers 1982-on

Washers feature built in o-rings. (sold in 10 packs)

PCP Application

25281 3/8", 10mm for 1982-99 dual disc brake calipers (41731-88A)

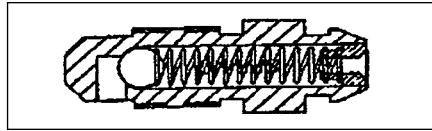
25282 7/8", 12mm for handlebar cylinders 1984-99, single disc (41733-88)

25293 2001-on master cylinder and brake calipers (41731-01)

Rear Caliper Pin Boot 1982-86

Replaces 44200-82 on FXR and FXST models.

73557

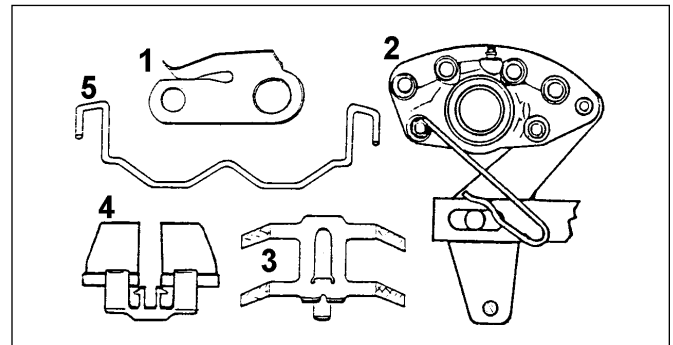


Russell Brake Bleeder Valve

Russell's Speed Bleeder uses an internal one way valve that allows air to escape but, not enter the bleeder when the brakes are being pumped. Sold in pairs.

24530 1/4" FX, XL, FXST, FLT, Dyna 78-on. (44179-58)

24531 3/8"-24 Bleeder FL 1980-on, FX, XL, FXST, FLT, Dyna 1978-on (44146-77, 44146-82, 44048-83)



Vibration Clips

Fit to OEM to Dampen pad rattles.

PCP Description

4 16243 XL, FXR 1982-on, FLHS, FXSB, FXWG 1983-on (41665-82)

5 16244 FXST, FXR 1987-99 (43960-86)

na 16327 FLT 1987-99 (43959-86)

na 16328 Front or rear all 2000-on (44337-00)



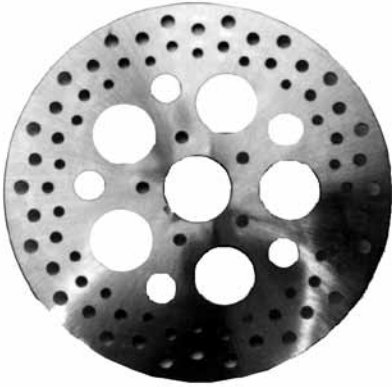
25281



25282



Russell Rotors

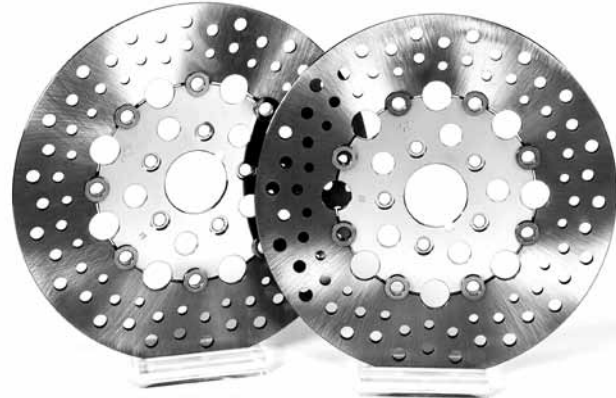


Russell Stainless Steel Brake Rotors

Russell engineers have designed our rotors to deliver the optimum in braking efficiency and the maximum in heat dissipation.

Designed utilizing SVS420JZ stainless steel material that is highly rust resistant and compatible with most types of brake pads including sintered material.

Russell 420 stainless steel brake rotors are available in our traditional satin machine finish or our professional high luster polish for the discerning custom builder.

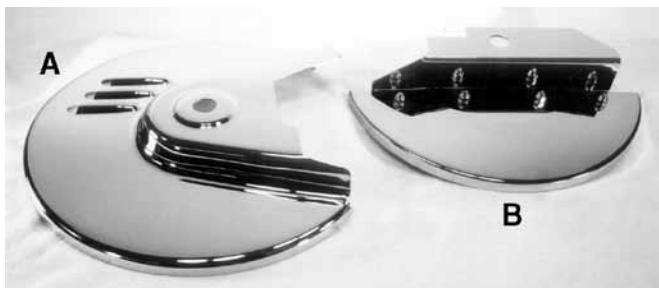


Russell True Floating Brake Rotors

Rotors feature no rattle, quiet operation and are constructed from 420 stainless steel construction with chrome plated centres. Rotors are self aligning, maintaining full contact with pads. Spring loaded retention system provides for maximum floatation. These rotors offer cooler operation and use stock mounting hardware.

Russell High Performance 420 Stainless Steel Brake Rotors

Satin Machine Finish	Pro Polished Finish	Floating	Applications
53015	53021	53027	Front all single/dual disc brake applications from 1984-99. 11-1/2" Diameter with counter bore mounting holes (uses stock mounting hardware). 2 Required for dual disc applications. (44136-84A)
53016	53022	53028	Rear all FX and FXST models 1981-91, XL 1979-91 rear, FXR 1982-91 rear. 11-1/2" Diameter with countersunk mounting holes. Uses stock mounting hardware. (41791-79A)
53020	53026	53029	Rear all XL, BT (except FLT, FLHT, FLHS) from 1992-99. 11-1/2" Diameter with counterbored mounting holes. Uses stock hardware. (41789-92)
53101*	53103*	53105*	Front all models 2000-07. 11-1/2" Diameter w/2-1/4" hub *Except 2000-07 Dyna
53102	53104	53106	Rear all models 2000-07. 11-1/2" Diameter w/2-1/4" hub



Chrome Rear Rotor Covers

Chrome covers made in the U.S.A.

45090 (A) FXST-FLST 1986-99

7021 (B) FLT-FLHT 1984-90

Russell Silicone Brake Fluid

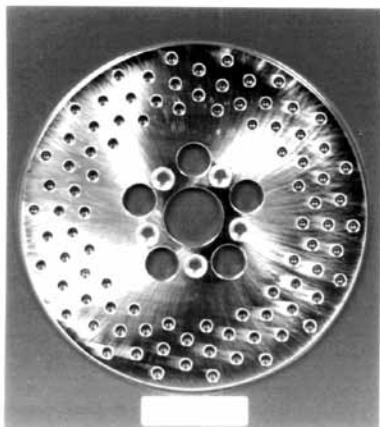
Russell's long life DOT 5 silicone brake fluid was specifically developed for severe service and competition applications. It will not boil at temperatures up to 500 degrees farenheit. It will not absorb moisture and is recommended for use with Russell Powerflex hoses. Sold in 12 oz. bottles.

6754 Each bottle



Rotors

PrestonCycle



PrestonCycle



Steel Disc Brake Rotors

Features fine finish ground to tolerances of OEM specifications. Available with or without holes. Exactly interchangeable with stock disc. Order bolt set separately.

Front Rotors

Drilled	Plain	Size	Application	I.D.	Thick	Bolt	Bolt style
1974	1935	11.5"	1984-99 FX, XL & FLT front only (44136-84A)	1-15/16	.205	5384	C/B
65421**		11.5"	2000-07 FXD, XL, FLT cast or wire wheel right side rotor (44136-00)			5384	C/B cast
65423**		11.5"	2000-07 FXSTS-FLSTS cast or wire wheel right side rotor (44260-00)			5385	C/B wire
65422**		11.5"	2000-07 FXD, XL, FXST, FLT cast/wire wheel left side rotor (44156-00)			5384	C/B cast
						5385	C/B wire

Rear Rotors

1977	908	11.5"	1979-91 XL rear wheel, 1981-91 FXST, FX, FXR, cast or wire wheel (41791-79)	2.0	.225	5382	C/S
1981	1930	12"	1979-85 FLT rear only (40939-79A)	2.0	.390	4361	C/S
53038*	1934	11.5"	1986-99 FLT rear only (40939-86A)	Star	.300	4360	Punch
65424**		11.5"	2000-07 XL-FXST-FXD-FLT cast/wire wheel (41797-00)			9807	C/B wire
						9818	C/B cast
53036	53037		1992-99 FXST & Sportster rear (41789-92)			9807	C/B wire
						9818	C/B cast

Note

* Stainless

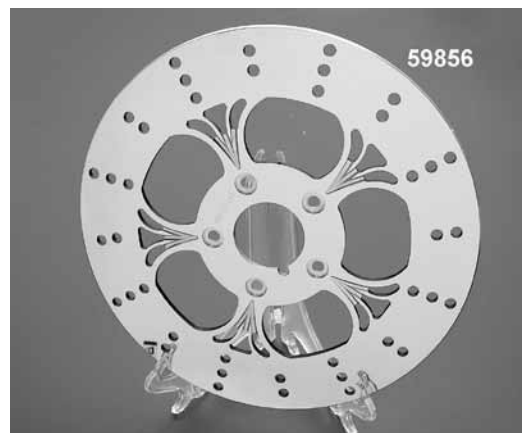
** These rotors are Topline vented rotors



11.5" Edart Polished Stainless Rotor

Features universal design to fit 1984-on front and rear applications. Fits left or right. Utilizes centre ring and washers on 1984-99 front applications. 2000-on front uses washers. Rear 1984-99 uses ring.

PCP	Style
21725	Spike w/washer
21726	Spoked w/ring
21727	Pirate
59855	Swirl



5 Spoke Dura Polished Stainless Rotor

PCP	Application
59856	1984-99 Front
59857	1984-99 Rear
59858	2000-07 Front
59859	2000-07 Rear

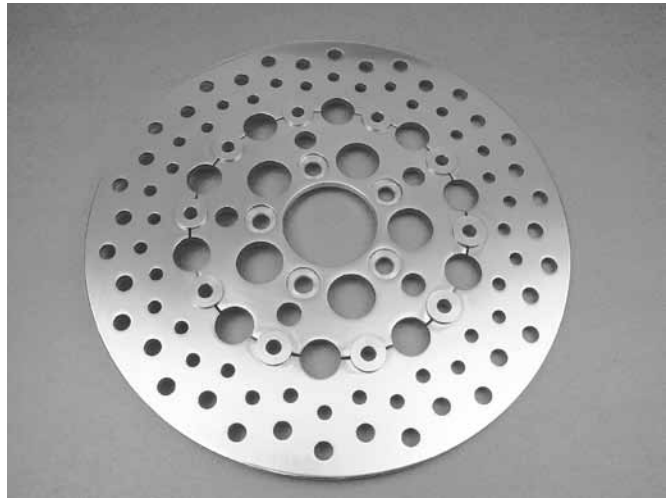
Rotors



Preston's Rear Rotors for Softails 1992-99

Replaces 41789-92

- 53036** Drilled
- 53037** Solid



Polished Stainless Steel Floating Rotor

PCP Application

Front

- 59175** 1984-95
- 59230** 1996-99 (full polish)
- 9807** Mount screw for above 1992-on
- 59349** 2000-07 (polish with chrome center)

Rear

- 59241** 1979-99 (polish with chrome center)
- 59348** 2000-07 (polish with chrome center)



59688



59689

Stainless Steel Replica Rotors

Features full stainless construction with precision ground finish and slot style pattern.

PCP	Application	Finish
59688	2000-07 Front	Polished
59689	2000-07 Front	Stainless
59861	1992-99 Front	Stainless
59690	2000-07 Rear	Polished
53131	1992-99 Rear	Stainless
59862	1992-99 Rear	Polished



59690



21862

Touring Models

21864	2008-on Front (pr)	Polished
21862	2008-on Rear	Polished
21863	2008-on Rear	Stainless



Wyatt Gatling Polished 18 Spoke Rotor

PCP Application

- 59338** 1984-99 Front
- 59339** 1979-99 Rear
- 59646** 2000-07 Front
- 59647** 2000-07 Rear



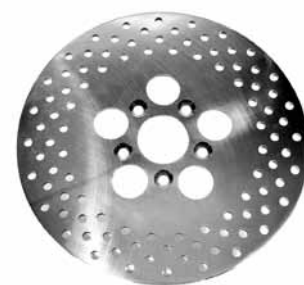
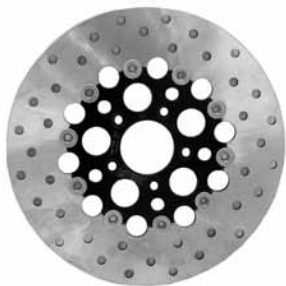
21864



Polished Stainless Steel Front Rotors

- 53051** 1984-91
- 53052** 1992-99

Rotors



T/L Black Floating Brake Rotor

Stainless steel rotor outer surface is riveted to a steel liner.

65425 All 2000-07 models except V-rod (44358-00)

T/L Chrome Floating Brake Rotor

Stainless steel rotor outer surface is riveted to a chrome steel inner.

65426 All 2000-07 models except V-rod (44360-00)

Preston Brand Drilled Stainless Rotors

Standard or polished rotors are compatible with all disc pads including sintered metal and OEM.

Front

Pol.	Std	Diam.	Application
53050	53051	11.5"	1984-91 FX, XL, FXST, FXSTS, FLST, FLT cast or wirewheel (44136-84)
53052	53074	11.5"	1992-99 FX, XL, FXST, FXSTS, FLST, FLT cast or wire wheel (44136-92)
53032	53076	11.5"	2000-07 FXD, XL, FXST, FLT cast or wire left side rotor (44156-00)

Rear

53040	53038	11.5"	1986-99 FLT (40939-86A)
53123	53124	11.5"	1979-91 all XL, 1981-92 FXST, FXR cast or wire (41791-79)
53125	53036	11.5"	1992-99 XL, FXST, FXR, FXDB cast or wire (41789-92)
53033	53129	11.5"	2000-07 XL, FXST, FXD, FLT cast or wire (41797-00)



T/L Drilled Front Rotor BT 1984-99

53039 44136-92



Topline Rear Brake Disc Rotor

Fits all 1992-99 FX/FL.

60010 41789-92



Wyatt Gatling Polished 20 Spoke Rotors

PCP	Type	Year
53133	Front	1984-99
53134	Rear	1979-99
53135	Front	2000-07
53136	Rear	2000-07

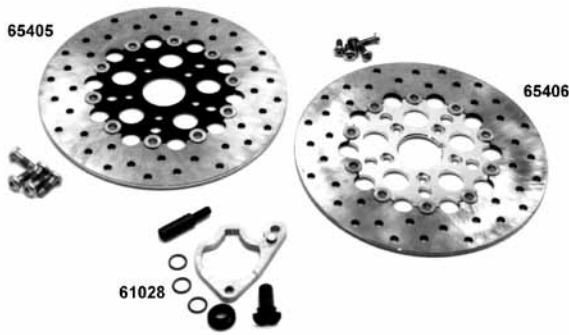


11.5" Polished Stainless Steel Rotors

Highly polished stainless steel rotors feature quality construction and a razor etched design.

PCP	Year	Side	Screws	Holes
53054	1993-99	R/S rear	9807	C/B torx
53095	As above, with chrome centre			
59337	1979-99	R/S rear	5382	C/S screw
53049	1984-99	L/S front	5384 Cast	C/B torx
			5385 Wire	C/B torx
53096	2000-07	R/S rear		
53097	2000-07	L/S front		

Rotors



“Floating” Disc Brake Kits.

Front Disc Brake Kits all 1984-99 Models

- PCP Description**
65405 Black rotor (44100-95)
65406 Chrome rotor (44101-95)

These discs must only be used with brake pad kit #44063-83C, or the disc will be damaged and worn out early. OEM 44063-83C is original on 1992-99 models; 1984-91 models must use these pads.

Installation Kits Required for 1984-99 Models

- PCP Description**
61028 Left side of dual brake (44144-95)
61030 1988-99 FXSTS Springer (44159-95)

Rear Disc Brake Kits

Fits L1987-99 XL, FXD, FXDWG; 1987-94 FXR; 1987-99 Softails.

These rotors must only be used with brake pad kit #44209-87C (stock on 1992-99); or the rotor life will be shortened. These pads must be used on 1984-91 models.

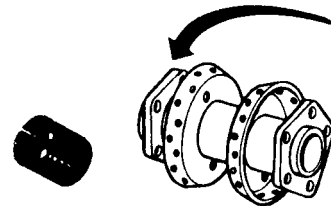
- PCP Description**
65407 Black rotor (44102-95)
65408 Chrome rotor (44108-95)



Sprocket & Disc Spacers

Used to establish correct rotor to caliper alignment/spacing when servicing wheels, brake calipers, supports or rotors.

PCP	Thickness	Years	Use
3376	1/16"	1976-81	Disc (41814-76)
11855	.200	1981-84	Both (40932-81)
11856	1/4"	1973-on	Both (Alloy)
11857	5/16"	1973-on	Both (Alloy)
11858	3/8"	1973-on	Both (Alloy)
11859	1/2"	1973-on	Both (Alloy)



Rotor Bolt Spacers

Set of 5 steel spacers for 1 wheel to adapt 1973-on FX-FL rear hubs to accept front rotors for front fork use, dual disc type 1980-93 FXWG type 7/16 OD, 5/16 ID

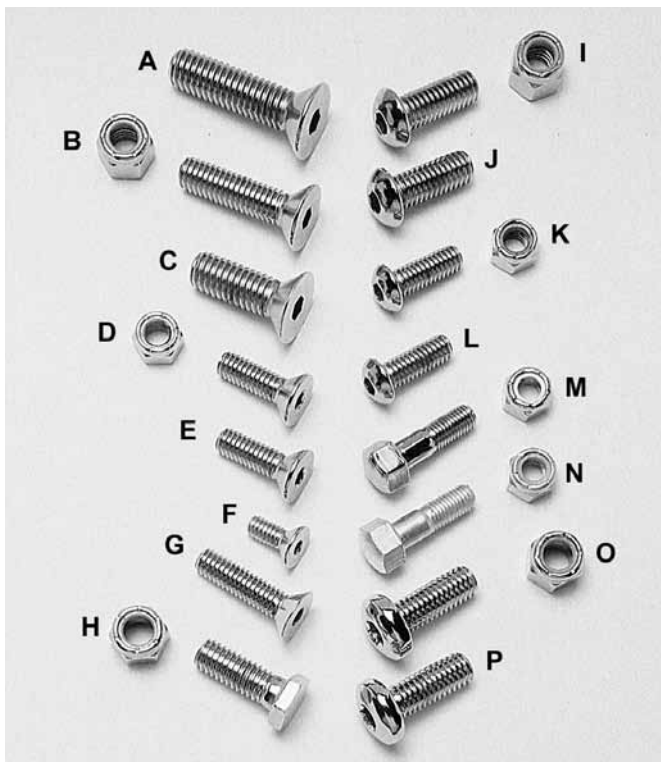
PCP	Size
1167	3/8" O.D., 5/16" I.D.
18009	7/16" O.D., 3/8" I.D.
18010	7/16" O.D., 5/16" I.D.

Chrome Rear Rotor Bolts

#	PCP	Thread	Fits
A	4360	7/16 x 14 x 1 1/4	1982-85 FLT
B	5382	3/8 x 16 x 1 1/2	1979-91 FX-XL
J	24009	3/8 x 16 x 1	1992-on FX-FL cast
J	9632	3/8 x 16 x 1	1979-91 FX, FL, 1979-96 XL cast w/o nuts
O	24011	3/8 x 16 x 1	1992-on FX-FL Wire wheels
O	9807	3/8 x 16 x 1	1992-on FX, FL, XL wire (torx)
P	9818	3/8 x 16 x 1	1997-on BT w/spoke wheel (torx)

Chrome Front Rotor Bolts

#	PCP	Thread	Fits
A	4360	7/16 x 14 x 1 1/4	1982-85 FLT
P	5385	5/16 x 18 x 7/8	1984-on FXST, FXWG (torx)
L	5384	5/16 x 18 x 7/8	1984-on FX, FXR, XL, FLT (torx)
Q	72341	Torx flat head	2006-on Dyna cast wheel only



Rotors



Brake Rotors 2000-07

Original type rotors feature vented slots.

- 65421** Front right FXD, XL, FLT (44136-00)
- 65422** Front left FXD, XL, FXST, FLT (44156-00)
- 65423** Front right FXSTS, FLSTS (44260-00)
- 65424** Rear all (41797-00)



5 Spoke Polished Rotor

PCP	Application
21728	2000-07 Rear
21729	2000-07 Front
21730	1984-99 Front
21731	1979-99 Rear



Rotor & Caliper Covers for Heritage Softail

Fits FLST models 1986-93. Adds a distinctive look to the front end. Comes complete with all mounting hardware.

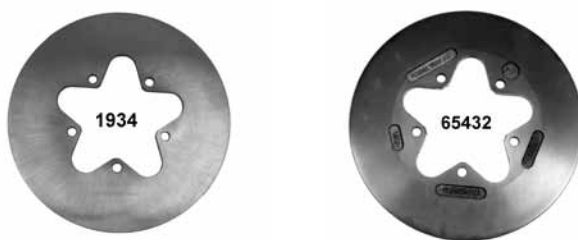
- 45405** FLST Rotor cover
- 45406** FLST Caliper cover



Rotor Cover

Fits FLHT & FLT. Completely covers the front disc. Comes with required spacers.

- 3240** 1984-86
- 3156** 1987-99



Rear Rotor FLT 1986-99

11.5" Rotor is .305" thick. Replaces 40939-86A.

- | PCP | Finish |
|--------------|-----------------------|
| 1934 | S/S w/ground finish |
| 65432 | T/L Black stock rotor |

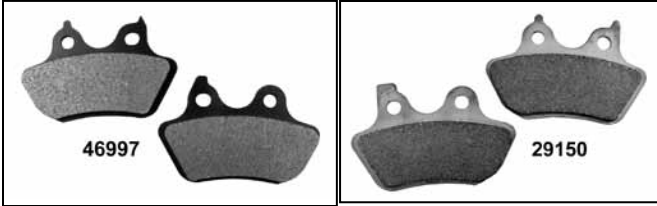
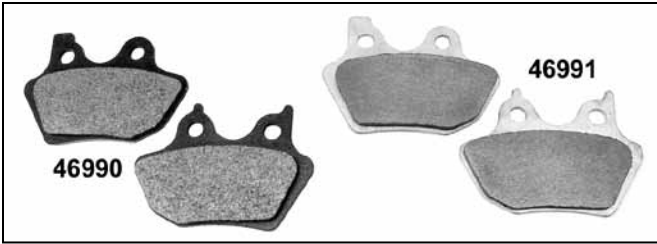


T/L Chrome Caliper Rotor Cover 2000-on

Stylish chrome front rotor cover fits on 2000-on FLST/C/F/N models.

- 64831** 43367-00

Brake Pads



Front & Rear Brake Pads for 2000-on

Fits front and rear of Twin Cam 2000-on (except Touring 2008*, XL 2000-03 and VRod 2002-05. Not for use on F/ Springer or 2006-on Softail Standard, FXSTB, FLSTFSE2. Replaces 44082-00.

- 46990** Carbon/kevlar pads 2000-05
- 46991** Sintered pads 2000-05
- 46997** Organic pads 2006-07
- 46998** Sintered pads 2006-07 (46721-06)
- 29150** T/L F/R pads 2000-07 (44082-00C)
- 29151** T/L front pads 2008-* Touring (41854-08)
- 29152** T/L rear pads 2008-* Touring (41852-08A)



1984-99 Front Brake Pads

Brake pad kit for 1984-99 Harley models with either single or dual caliper front disc brakes. Dual front disc brake models (FXRT, FXRD, FLT/FLHT, FXRS with sport suspension and XR1000 models) require two pad sets for a complete brake service.

- 3974** Set (2 pads) (44063-83)



Sportster 2004-08 Brake Pads

Organic or sintered material for front or rear.

- | PCP | Type |
|--------------|-----------------------------------|
| 46993 | Front sintered 2004-08 (42831-04) |
| 46994 | Front organic |
| 46995 | Rear sintered 2004-08 (42836-04) |
| 46996 | Rear organic |



Late 1987-99 Rear Brake Pads

Brake pad kits for the rear 'Hayes' caliper on all FXST late 1987-99 models except FLHS, FLT and FLHT models (OEM's 44209-87, 44213-87).

- 1948**



1986-99 FLT, FLHT and FLHS Rear Brake Pads

Brake pad kit for the rear 'Hayes' caliper on all 1986-99 FLT, FLHT and FLHS models (OEM 43957-86B).

- 1946**



1982-E87 Rear Brake Pads

Brake pad kits for the rear "Girling" caliper on all 1982-E87 models except FLT and FLHT models (OEM 44209-82).

- 2570**

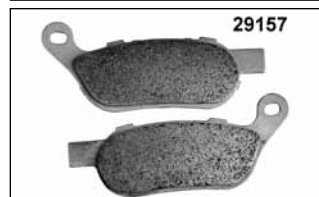
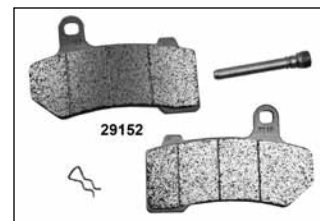


1980-85 FL, FLT and FLHT Rear Brake Pad

Brake pad kit for large automotive style dual piston rear caliper (OEM 43957-80). Fits 1980-85 FL, FLT and FLHT models rear disc brake.

- 2569**

Brake Pads



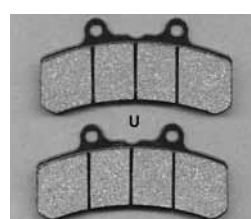
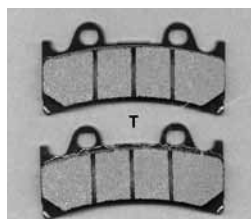
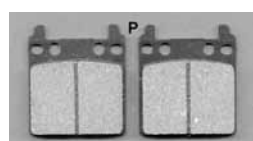
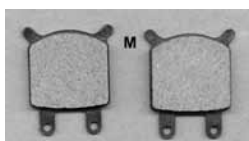
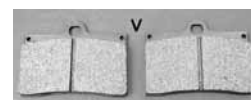
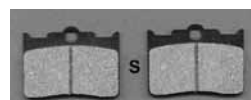
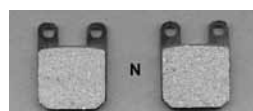
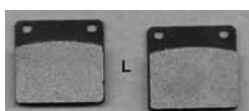
Ferodo Platinum (Street) Brake Pads

Alloy coated backplate reduces corrosion. Performs well in wet and dry conditions. Organic pads are suitable for stainless steel and cast iron discs. Sintered pads are for use on stainless steel discs only.

Front	Rear	Application
46854	46854	2000-07 BT (except Springer)
46859	46858	2008-on BT
46854	46854	2002-05 V-Rod
46858	46858	2006-on V-Rod
46854	46854	2000-03 XL
46855	46856	2004-on XL
46852	46850	L1987-99 BT (organic)
46853	46851	L1987-99 BT (sintered)
46853	46854	2000-05 FXSTS
46853	46857	2006-07 FXSTS

Topline Brake Pad Kits

PCP	Application
29150	F&R pads for DYNA/FXST/FLT 00-07(44082-00D)
29151	Front pads for Touring 2008-on (41854-08)
29152	Rear pads Touring 2008-on (41852-08A)
29169	Front pads FXST-DYNA 2008-on (44082-08)
29157	Rear pads FXST-DYNA 2008-on (42298-08)



Disc Pad Sets for Aftermarket Calipers					
Fitment	Dura-Soft	SBS Ceramic	SBS Carbon Tech	Dura Ceramic	Style
Edart	46842				X
Brembo	46843				V
GMA Model A	7516	46916	46939		L
GMA Model B	7515	46918	46940		M
GMA Model F	7530*	46917*	46941*	46841*	N
GMA Model M	46844			46847	Q
Jaybrake Small 2-piston	7530*	46917*	46941*		N
Jaybrake 2-piston ADC/ADCS	7515	46918	46940		M
Jaybrake 6-piston A6 L/R		46934			T
Performance Machines 162 x 2	46845	46935			P
Performance Machines 125 x 2	7530*	46917*		46848	N
Performance Machines 125 x 4S	7530*	46917*		46848	N
Performance Machines 125 x 4SL	7530*	46917*		46848	N
Performance Machines 125 x 6		46936			U
Performance Machines 137 x 6		46936			U
Performance Machines 124 4HR		46937			R
Performance Machines 137 x 4		46937			R
Performance Machines 125 x4R	46846	46938		46849	S

*Note: Set of 4

SBS Brake Pads

Scandinavian Disc Pads.

UPGRADE YOUR BRAKE PADS WITH SBS COMPOSITE TECHNOLOGY

Replace worn or glazed brake pads with modern SBS lead-free, asbestos-free ceramic components. SBS's proven **ceramic** fiber compound is the result of precise blending or 25 critical ingredients that provide optimum braking performance in wet or dry riding conditions. These general purpose pads can be used in all calipers and are well suited to carbon steel rotors. Sintered pads provide maximum stopping power but can never be installed in calipers that were originally equipped with non-sintered pads. **Sintered** pads work best with stainless steel disc rotors. **Carbon-Tech** pads are designed for use in all stock or aftermarket rotors and can be used with stainless steel or cast iron rotors.



Ceramic	Sintered	Carbon	Fit	Application
46904	46906	46930	Front	FLT, FLHT, FLHS 1984-99; FXST, FXWG, FLST, XL 1984-98; FXDL, FXDWG FLSTS 1997-03, FLSTSC 2005-07, FXSTS 1989-06 (44063-83A/B/C/E)
46905	46924	46931	Front	Twin Cam 2000-007 (except Springer), XL 2000-03, V-Rod 2002-05
46911			Rear	FLT, FLHT 1980-85 (43957-80)
46913			Rear	FXR, FXRS, FXRT 1982-E87; FXST, FLST 1984-E87; FXWG 1983-86; FXE, FXEF 84-85; XL 1982-E87 (44209-82)
46914	46921	46932	Rear	FLT, FLHT, FLHS 1986-99 (43957-86B, 43957-86D)
46915	46922	46933	Rear	FXR, FXRS, FXRT L1984-94; FXDL, FXDWG; FXST, FLST, XL L87-99 (44209-87/B/C, 44213-87)
46919	46920	46931	Rear	Touring, FXD 2000-07, FXST 2000-05, XL 2000-08, V-Rod 2002-05
	46923		Rear	FXST 2006-07

Custom Ceramic Applications

PCP	GMA	Application
46916	A	GMA A caliper
46917	F	GMA F caliper 4 pistons (sold as 2 sets)
46918	B	GMA B caliper (ceramic)



GOOD

Kevlar (Organic)

Made with non abrasive aramid fibres to create a "soft" pad which delivers excellent stopping power, fully TUV tested and with ABE. Suitable for original hardened and stainless discs and even polished or chromed discs with minimal disc marking.

BETTER

Sintered

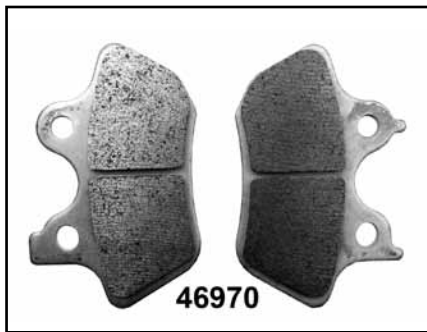
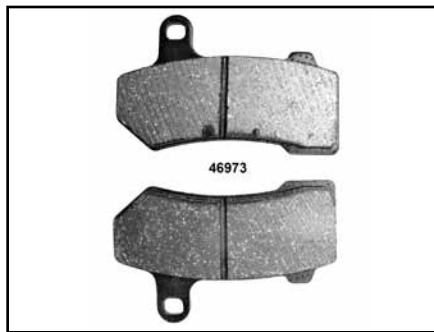
(All HD current model bikes are fitted with sintered pads)

If you want stopping power there is probably nothing that will pull up a motorcycle faster or longer than EBC's new Double-H American made sintered pads. These pads are also TUV tested with ABE and are best used on hardened and ground stainless steel discs.

BEST

Extreme Pro Brake Pads

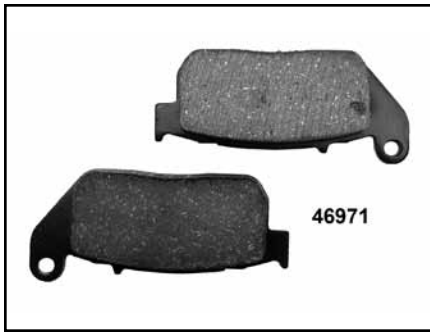
The ultimate brake pads for cruisers feature the very latest in sintered friction pad technology offering more stopping power, totally silent braking and longer life. The EPFA series of pads feature a blend of tungsten and moly metal and were developed after comparing 7 competing products. Testing from over 400 stop dyno tests the massive consistency and stability that this new pad compound offers.



V-Rods	Year	Front			Rear		
Application		Kevlar	Sintered	EPFA Sintered	Kevlar	Sintered	EPFA Sintered
V-Rod	2002-04	46969*	46970*	46864*	46969	46970	46864
V-Rod	2005-06	46973*	46984*	46865*	46973	46984	46865
VRSCAW V-Rod	2007	46973*	46984*	46865*	46973	46984	46865
VRSCAW V-Rod (spoke wheel)	2008-on	46973*	46984*	46865*	46973	46984	46865
VRSCR Street Rod	2005-07	46973*	46984*	46865*	46973	46984	46865
VRSCD Night Rod (cast wheel)	2005-08	46973*	46984*	46865*	46973	46984	46865
VRSCDX Night Rod Special (cast wheel)	2007-on	46973*	46984*	46865*	46973	46984	46865
VRSCX V-Rod	2007	46973*	46984*	46865*	46973	46984	46865

* 2 Sets are Required

EBC Pads



Sportster Series	Year	Front			Rear		
		Kevlar	Sintered	EPFA Sintered	Kevlar	Sintered	EPFA Sintered
XL, XLH, XLCH, XLS, XLX, (Sportster 53C Custom)	1982-Early 87 (Girling Caliper)				46953		
	1984-99	46950	46981	46860			
	Late 87-99				46951	46982	46869
XL 50 50th Anniversary	2007	46971	46986	46863	46972	46987	46870
XLH 883	2000-03	46969	46970	46864	46969	46970	46864
XLH 883 R Flat Track	2000-03	46969	46970	46864	46969	46970	46864
XL 883 Hugger	2000-03	46969	46970	46864	46969	46970	46864
XL 53C Custom (883cc)	2000-03	46969	46970	46864	46969	46970	46864
XL 883 Standard	2004-on	46971	46986	46863	46972	46987	46870
XL 883C Custom	2004-on	46971	46986	46863	46972	46987	46870
XL 883L Low	2004-on	46971	46986	46863	46972	46987	46870
XL 883R	2005-on	46971*	46986*	46863*	46972	46987	46870
XL 1200C Custom	2000-03	46969	46970	46864	46969	46970	46864
XL 1200S Sport	2000-03	46969*	46970*	46864*	46969	46970	46864
XL 1200R Roadster	2004-08	46971*	46986*	46863*	46972	46987	46870
XL 1200C Custom	2004-on	46971	46986	46863	46972	46987	46870
XL 1200L Low	2007-on	46971	46986	46863	46972	46987	46870
XL 1200N Nightster (spoke wheel)	2008-on	46971	46986	46863	46972	46987	46870
XR 1200	2008-on		46978*	46861*	46972	46987	46870

* 2 Sets are Required

Which Pads Work Best?

For almost 30 years Harley riders have appreciated the softer organic pads (EBC Kevlar Pads) which offer fingertip stopping, great brake feel and much less rotor damage. EBC now also offer longer lasting sintered metal pads which are more durable. EBC's newest offering are the EPFA Extreme Pro series of pads which are an even higher grade of sintered pads.

EBC Pads



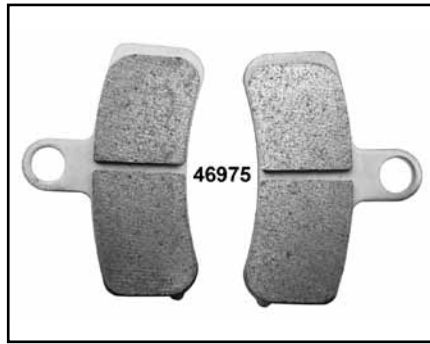
Touring Series	Year	Front			Rear		
		Kevlar	Sintered	EPFA Sintered	Kevlar	Sintered	EPFA Sintered
Application FLT, FLHT, FLHTCI (Ultraglide, Electraglide, Electraglide Classic, Ultra Classic)	1984-99	46950	46981*	46860*			
	1980-85				46954		
	1986-99				46952	46983	
FLHR, FLHRCI (Road King, Road King Classic,)	1994-99	46950	46981*	46860*	46952	46983	
FLHRi, FLHR Road King	2000-07	46969*	46970*	46864*	46969	46970	46864
FLHRCi Road King Classic	2000-07	46969*	46970*	46864*	46969	46970	46864
FLHR Road King	2008-on	46973*	46984*	46865*	46973	46984	46865
FLHRC Road King Classic	2008-on	46973*	46984*	46865*	46973	46984	46865
FLHT, FLHTi Electra Glide Standard	2000-07	46969*	46970*	46864*	46969	46970	46864
FLTR, FLTRi Road Glide	2000-07	46969*	46970*	46864*	46969	46970	46864
FLTR Road Glide	2008-on	46973*	46984*	46865*	46973	46984	46865
FLTCU-I Electra Glide Ultra Classic	2000-07	46969*	46970*	46864*	46969	46970	46864
FLHRS, FLHRSi Road King Custom	2004-07	46969*	46970*	46864*	46969	46970	46864
FLHTC, FLHTCi Electra Glide Classic	2004-07	46969*	46970*	46864*	46969	46970	46864
FLHTC Electra Glide Classic	2008-on	46973*	46984*	46865*	46973	46984	46865
FLHTCi Ultra Classic Electra Glide	2008-on	46973*	46984*	46865*	46973	46984	46865
FLHT Electra Glide Standard	2008-on	46973*	46984*	46865*	46973	46984	46865
FLHX, FLHXi Street Glide	2006-07	46969	46970*	46864*	46969	46970	46864
FLHX Street Glide	2008-on	46973*	46984*	46865*	46973	46984	46865

* 2 Sets are Required

Custom Applications

Organic	EBC	Fit	Application
46959	FA36	Fr/Rr	GMA A caliper
46960	FA76	Fr/Rr	GMA B caliper, Jaybrake 2 piston (large)
46961	FA115	Fr/Rr	GMA F 4 piston ; Jaybrake 2 piston (small); and Performance Machine 125x4S/L calipers
46962	FA188	Fr/Rr	Jaybrake Jayfour 4 piston caliper
46963	FA190	Fr/Rr	Jaybrake 6 piston caliper, PM 112x6RSB/SSB, PM 125x6QC
46964	FA32	Fr/Rr	Performance Machine 162x2 caliper
46965	FA216	Fr/Rr	Performance Machine 125x4R caliper
46966	FA210	Fr/Rr	Performance Machine 137x6 caliper
46967	FA249	Fr/Rr	Performance Machine 112x6/B caliper with single pin

EBC Pads



Softail Series	Year	Front			Rear		
Application		Kevlar	Sintered	EPFA Sintered	Kevlar	Sintered	EPFA Sintered
FXST, FXSTB, FXSTC, FXSTS, FLST, FLSTC, FLSTF, FLSTS, FLSTN Fat Boy, Softail, Heritage Softail Custom, Heritage Springer, Springer, Night train	1984-99	46950	46981	46860			
	1982-E87 (Girling Caliper)				46953		
	Late 1987-99				46951	46982	46869
FX, FXE, FXEF, FXWG, FXS	1984-86	46950	46981	46860	46953		
FXST, FXSTi Softail Standard	2000-05	46969	46970	46864	46969	46970	46864
FXSTB, FXSTBi Night Train	2000-05	46969	46970	46864	46969	46970	46864
FXSTDI, FXSTD Softail Deuce	2000-07	46969	46970	46864	46969	46970	46864
FXSTS, FXSTSi Softail Springer	2000-05	46950	46981	46860	46969	46970	46864
FLSTF, FLSTFi Fat Boy	2000-07	46969	46970	46864	46969	46970	46864
FLSTFi Fat Boy 15th Anniversary Edition	2005	46969	46970	46864			
FLSTCi, FLSTC Heritage Classic	2000-07	46969	46970	46864	46969	46970	46864
FLSTS Heritage Springer	2000-03	46950	46981	46860	46969	46970	46864
FLSTN, FLSTNi Softail Deluxe	2005-07	46969	46970	46864	46969	46970	46864
FLSTSC, FLSTSCi Springer Classic	2005	46950	46981	46860	46969	46970	46864
FLST, FLSTi Heritage Softail	2006	46969	46970	46864	46969	46970	46864
FXST, FXSTi Softail Standard	2006-07	46969	46970	46864	46974	46985	46871
FXSTC Softail Custom	2007	46969	46970	46864			
FXSTB, FXSTBi Night Train	2006-07	46969	46970	46864	46974	46985	46871
FXSTB Night Train (spoke wheel)	2008-on		46975	46868		46976	46872
FXSTC Custom (spoke wheel)	2008-on		46975	46868		46976	46872
FLSTSC, FLSTSCi Springer Softail Classic	2006-07	46950	46981	46860	46974	46985	46871
FLSTC Heritage Softail Classic	2007	46969	46970	46864	46974	46985	46871
FLSTC Heritage Softail Classic	2008-on		46975	46868		46976	46872
FLSTF Fat Boy (solid wheel)	2008-on		46975	46868		46976	46872
FLSTN Softail Deluxe (spoke wheel)	2008-on		46975	46868		46976	46872
FXCW Rocker (cast wheel)	2008-on		46975	46868		46976	46872
FXCWC Rocker C (cast wheel)	2008-on		46975	46868		46976	46872

EBC Pads



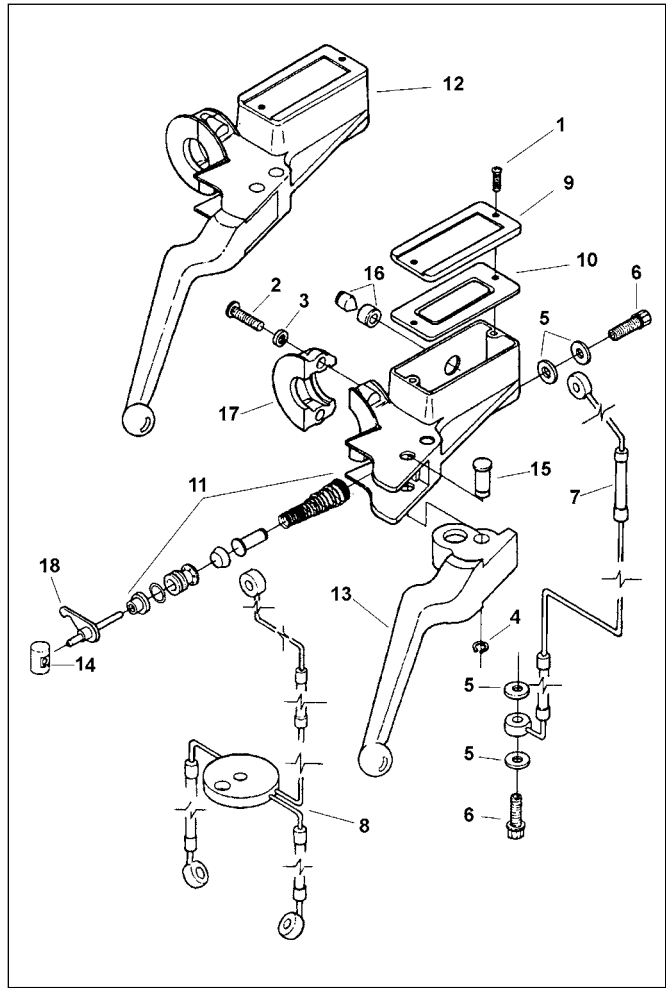
Dyna Series	Year	Front			Rear		
Application		Kevlar	Sintered	EPFA Sintered	Kevlar	Sintered	EPFA Sintered
FXD, FXDL, FXDWG, FXR, FXRS, FXRT, FXRD, FXLR Convertible, Dyna, Superglide, Sportglide, Lowrider, Wide Glide	1984-99	46950*	46981*	46860*			
	1982-E87 (Girling Caliper)				46953		
	Late 1987-99				46951	46982	46869
FXD Super Glide	2000-03	46969	46970	46864	46969	46970	46864
FXD Super Glide (cast wheel)	2008-on		46975	46868		46976	46872
FXDF Fat Bob (cast wheel)	2008-on		46975*	46868*		46976	46872
FXDX Super Glide Sport	2000-03	46969*	46970*	46864*	46969	46970	46864
FXDL Low Rider	2000-03	46969*	46970	46864	46969	46970	46864
FXDWG Wide Glide	2000-03	46969*	46970	46864	46969	46970	46864
FXDWG Wide Glide (spoke wheel)	2008-on		46975	46868		46976	46872
FXDS-CON Dyna Convertible	2000-02	46969*	46970*	46864*	46969	46970	46864
FXDXT Superglide T-Sport	2001-03	46969*	46970*	46864*	46969	46970	46864
FXDi Super Glide 1450	2004-05	46969	46970	46864	46969	46970	46864
FXDi 35th Anniversary Super Glide (spoke wheels)	2006	46969	46970	46864	46969	46970	46864
FXDXi Super Glide Sport	2004-05	46969*	46970*	46864*	46969	46970	46864
FXDLi Low Rider 1450	2004-05	46969	46970	46864	46969	46970	46864
FXDLi Low Rider (spoke wheel)	2006	46969	46970	46864	46969	46970	46864
FXDWGi Wide Glide 1450	2004-05	46969	46970	46864	46969	46970	46864
FXDWGi Wide Glide (spoke wheel)	2006-07	46969	46970	46864	46969	46970	46864
FXDC/FXDCi Super Glide Custom	2005	46969	46970	46864	46969	46970	46864
FXDCi Super Glide Custom (spoke wheel)	2006-07	46969	46970	46864	46969	46970	46864
FXDC Super Glide Custom (spoke wheel)	2008-on		46975	46868		46976	46872
FXDBi Street Bob (spoke wheel)	2006-07	46969	46970	46864	46969	46970	46864
FXDB Street Bob (spoke wheel)	2008-on		46975	46868		46976	46872
FXDi Super Glide (cast wheel)	2006-07	46969	46970	46864	46969	46970	46864
FXDLi (cast wheel)	2006-07	46969	46970	46864	46969	46970	46864
FXDL Low Rider (cast wheel)	2008-on		46975	46868		46976	46872
FXDCi Superglide Custom (cast wheel)	2006	46969	46970	46864	46969	46970	46864

* 2 Sets are Required

Handlebar Master Cylinder

1982-95 Master Cylinder Components

#	PCP	Description
1	N/A	Black screw 1987-on all (2579) (10 pack)
	24601	Chrome screw 1987-on all (10 pack)
2	24509	Black screw, 1/4-20 x 7/8 (4015) (5 pk)
3	12003	Washer 1987-on all (6099) (10 pk)
4	11035	Retaining ring 1982-on all (11143) (10 pk)
5	25279	Steel gasket 1982-89 all (41731-82) (10 pk)
	25281	Seal/washer 1990-on all lower (41731-88A) (10)
	25282	Seal/washer single disc 1990-on Softail, 1990-on FXR/S, FXLR upper (41733-88) (10 pack)
	25278	Steel gasket single disc 1987-89 Softail; 1987-89 FXR/S, FXLR (45583-83) (10 pk)
6	24027	Fitting master cylinder 1987-on FXR/S, FXLR, Softail (1 caliper) (41739-84A)
	24028	Fitting dual caliper 1987-on all (41747-82A)
7	49528	Brake line 1990-95 FLSTF (42303-89B)
	4879	Brake line 1987-95 FLSTC (42305-86B)
	49525	Brake line L1988-95 FXSTS (45110-88A)
	49526	Brake line +6" L1988-95 FXSTS
	4274	Brake line 1984-92 FXST/C (45112-84A)
	4259	Brake line 1984-87 FXR/S (45121-84)
	49515	Brake line 1986-92 FXR/S (45121-88A)
8	N/A	Dual brake line 1984-86 FLT (43349-84)
9	45037	Billet chrome cover 1985-on all (42381-87)
10	25146	Gasket 1985-95 all (45005-85)
11	2560	Repair kit 3/4" 1982-85 (45063-82A)
	46302	Repair kit 11/16", master cylinder, 1987-95 FLT, 1987-95 FXRT, FXRS-SP dual (45006-87)
	46301	Repair kit 5/8" master cylinder, 1987-95 FXST, 1987-on FXR/S single disc (45072-87)
	61018	Softail as above (45072-87) (USA)
12	61015	Black master cylinder 1987-95 FLT, 11/16" bore FXR dual disc (45013-85B)
	46709	Black (45013-85B)
	46702	Chrome master cylinder 1987-on 5/8" bore FXST, 1987-on FXR/S single disc (45019-85)
	46703	Black master cylinder 1987-on Softail, 5/8" bore 1987-on FXR/S single disc (45019-85A)
13	2438	Hand lever 1982-95 all (45016-82) (polished)
14	10157	Pin stop switch, pushrod 1982-on all (45031-82A)
15	10159	Pin, hand lever 1982-on all (45032-82)
16	46100	Sight glass kit 1982-on all (45042-82)
17	46007	Black clamp, master cylinder, 1982-on Softail, FXR; 1987-88 FLT (45044-82)
	46005	Chrome clamp, master cylinder, 1982-on Softail, FXR; 1987-88 FLT (45044-82)
18	46101	Pushrod for stop switch 1982-on all (45051-82)
19	10157	Reaction pin 1982-on all (45031-82A)



Chrome Banjo Bolts and Washers

Replacement banjo bolts for OEM & PC 46700 handlebar master cylinders for models 1982-on.

24030 Fits master cylinders with 10mm brake lines

24031* Fits PC Master Cylinder 46700 ONLY when 12mm brake lines are used on 10mm cylinder

24029 Fits master cylinders with 12mm banjo fitting

*NOTE: Allows use of 12mm lines on a master cylinder with 10mm thread.

1982-85 Front Master Cylinders

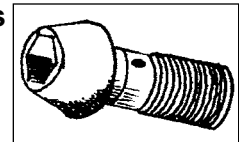
All top quality parts, master cylinders available in chrome plated and black (like OEM finish).

PCP	Description
46700	1982-85 Chrome cylinder (3/4") 10mm banjo fitting (45013-82A)
46707	As above black (45013-82B)
46300	Rebuild kit for above 1982-85 (45063-82A)

Allen Button Head Banjo Bolts

Sold without washers

PCP	Size
24025	3/8-24, 10mm
24026	7/16-24, 12mm



Handlebar Master Cylinder



Chrome Master Cylinder

11/16" Bore master cylinder fits 1985-95.

46704



1982-95 Chrome Handlebar Controls

Chrome handlebar mounted brake & clutch control assemblies with switch housing (use your OEM wiring parts). The clutch lever assembly includes both style of cable pin which will permit the use of the early style cable, as well as the latest eyelet type.

PCP Fits

- 90110** With 3/4" (.750") bore master cylinder for all dual disc models from 1982-83
- 90111** With 5/8" (.625") bore master cylinder for all single disc models from 1984-95
- 90112** With 11/16" (.687") bore master cylinder for all dual disc models (except those with radio controls) from 1985-95



46010

1982-95 Handlebar Switch Housing Set

A four piece chrome set replacing upper and lower of right and left sides. Use existing wiring and switches for assembly. (Not for Radio controls)

PCP Description

- 46010** 4 Piece set 1982-95
- 24600** Chrome button head screws (2508) (10 pack)
- 24551** S.S. Allen head screws (2508) (10 pk)

Components

PCP Fits

- 46700** Master cylinder for all models 1982-83 3/4" bore no clamps (45013-82C)
- 46001** Switch housing, right top (71564-82)
- 46002** Switch housing, right bottom (71563-82A)
- 46003** Switch housing, left top (71567-82)
- 46004** Switch housing, left bottom (71568-82A)
- 46005** Replacement lever clamp only, for clutch & brake (45044-82C)
- 46006** Clutch lever assembly with anti-rattle device, (includes #46005) & all necessary hardware
- 10165** Replacement nylon pin for eyelet style cables (45036-88) (5 pk)

9778



9776



Handlebar Switch Cover Screw Kits

Acorn	Button	Application
9778	9776	1996-on all models



Switch Box Knurled Allen Screw Kit all HD

Handlebar lever mounts and master cylinder cover screws.

5359 1982-95



12mm Master Cylinder Banjo Bolt 1982-on

24044 Each

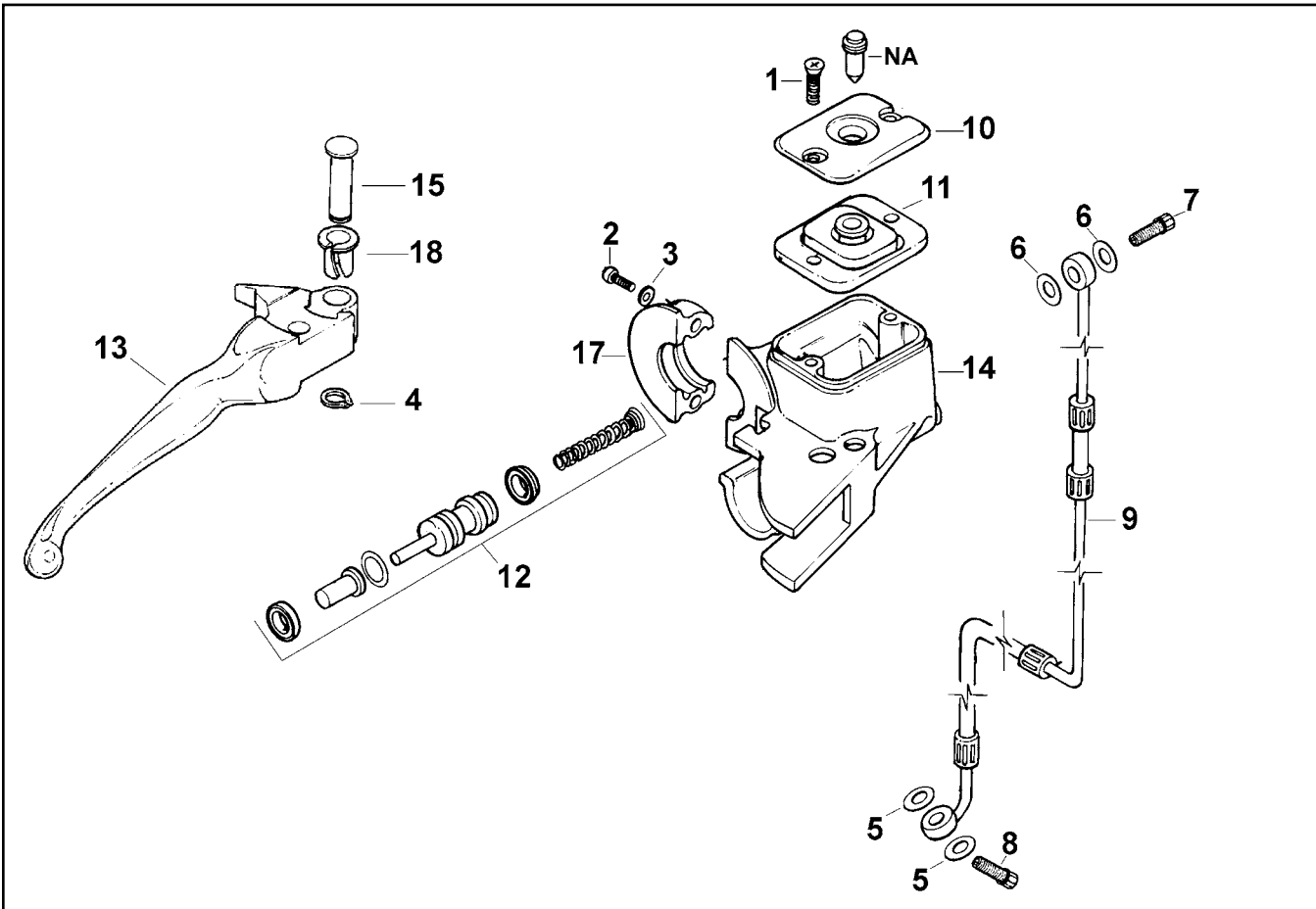


8767

Polished Chrome Allen Bolts

8767 Switch box kit 1982-95

Handlebar Master Cylinder



FXST Front Brake Control 1996-on

#	PCP	Description
1	N/A	Screw black (2579A) (10 pk)
2	24548	Screw black (4132) (10 pk)
3	12005	Washer (6101) (5 pk)
4	11035	Retaining ring (11143) (10 pk)
5	25281	Gasket 10mm 1982-00 (41731-88A) (10 pk)
6	25282	Gasket, master cylinder (41733-88) (10 pk)
7	4313	Fitting, master cylinder (41739-84A)
8	4311	Fitting, caliper (41747-82A)
9	49529	Brake line FLSTF 1996-99 (42303-96)
	49530	Brake line FLSTC 1996-99 (42305-96)
	49531	Brake line FLSTS 1997-03 (45091-97)
	49532	Brake line FXSTS 1996-05 (45115-95)
	49533	Brake line FXSTC 1996-97 (45112-96)
	49534	Brake line FXSTSB 1996-97 (45115-95)
10	44029	Reservoir cover 1996-04 (45004-96)
11	23041	Gasket, reservoir cover 1996-04 (45005-96)
	23098	Gasket, reservoir cover 2005-07 (45423-05B)
12	61019	Master cylinder repair kit (9/16") (45006-96C)
	61020	As above, 11/16" bore (45072-96)
13	50210	Hand lever polished 1996-07 (45016-96)
14	61038	Black m/cylinder with 9/16" bore 1996-05 (45019-96C)
	61039	Blk m/cylind., 11/16" bore 1996-05 (45013-96C)
	61105	Blk m/cylinder, 9/16" bore 2006-07 (45019-06A)
15	10159	Pivot pin (45032-82)
17	46014	Clamp, handlebar control, black (not FXCW) (45044-96)
18	10174	Bushing, lever pivot (45423-96) (5 pack)



Brake Banjo Seal Washers 1982-on

Washers feature built in o-rings. (sold in 10 packs)

PCP	Application
25281	3/8", 10mm for 1982-00 dual disc brake calipers (41731-88A)
25282	7/8", 12mm for handlebar cylinders 1984-99, single disc (41733-88)
25293	For 2001-on master cylinder and brake calipers (41731-01)

Handlebar Master Cylinder



Handlebar Master Cylinder 1996-05, XL 2004-06

Master cylinder comes complete with brake lever, cover, and internal parts. Available for most applications using 1" diameter handlebars. Hardware and clamp is not included.

61038 Single disc 9/16" bore (45019-96D) black

46705 As above chromed

61039 Dual disc 11/16" bore (45013-96D) black

46706 As above chromed

46721 Single disc, chrome XL 2004-06

46722 Dual disc, chrome XL 2004-06



1996-on Handlebar Switch Housing Set

A four piece chrome set replacing upper and lower of right and left sides. Order adjuster, wiring and switches for assembly separately.

PCP	Application	Style	Type
46011	FXST, FXD, FLHR 1996-06	Stock	Stock
46039*	As above	Stock	Stock
45320	FLHT 1996-03 FLHX 06*	Stock	Radio
46041	FLHTCU, FLTCU 1996-06	Smooth	Cruise-Radio
46042	FLHT 2008-on	Smooth	Stock
46043	FLTCU 2008-on	Smooth	Stock
46044	FLHR 2008-on	Smooth	Stock
46045	Touring 1996-06		
46046	Touring		Cruise
16100	Adjuster 1996-06		
24600	Chrome button head screws (2508) (10 pack)		
24551	S.S. Allen head screws (2508) (10 pk)		

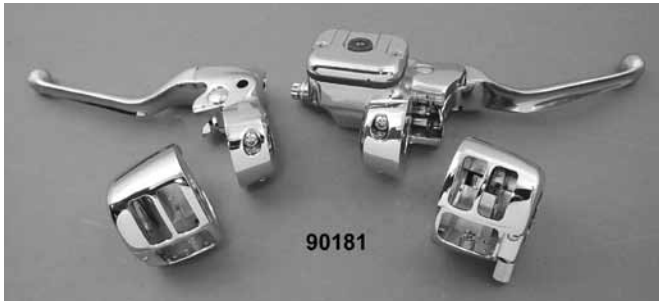
*Note: Has provision for clutch lock-out switch

Handlebar Master Cylinder Rebuild Kits

Each kit contains all parts necessary for complete rebuild.

PCP	Year	Bore	Application
2560	1982-85	3/4"	FLT 82-E85 (45063-82A)
46100	1982-95		Fluid level window (45042-82)
46301	1985-95	5/8"	FX 84-86, Softail 84-95 FXR 84-99 (not FXRS or FXRT) (45069-84, 45072-87)
46302	1987-95	11/16"	FXR-FLT & Dyna 1992-94 (not FXDWG) (45006-87A)
61019	1996-07	9/16"	FXST USA (45006-96A)
46303	1996-07		As above, Preston
61020	1996-07	11/16"	Touring (45072-96A)
46304			As above, Preston
46306	2004-06	Dual disc	XL (42809-04)
46307	2004-06	Single disc	XL (42803-04)
46308	2007-on	Single disc	XL (42803-07)
46309	2007-on	Dual disc	XL (42809-07A)
46310	2008-on		Touring (42862-06A)

Handlebar Controls



90181

Chrome Smooth Contour Control Kit BT 96-05

Features a hidden underside mounting on the switch housings for an unobstructed smooth, rounded surface on the top housing. Switch housings use stock or chrome rounded switches (introduced on 1996 models). Available in complete kits with or without chrome switches. Complete kits include clutch and brake levers, master cylinder, switch housings, brackets and hardware. Not for models with radio.

No Switches	Switches	Application	Disc
90181	90184	(.562) 9/16" MC	Single
90182	90185	(.687) 11/16" MC	Dual
90183	90186	5/8"	Single



90178

Chopped Handlebar Master Cylinder & Control Housing Set 1996-05 (Low Profile)

Not for models with radio.

PCP	Bore
90176	9/16" Single
90177	11/16" Dual
90178	5/8" Single

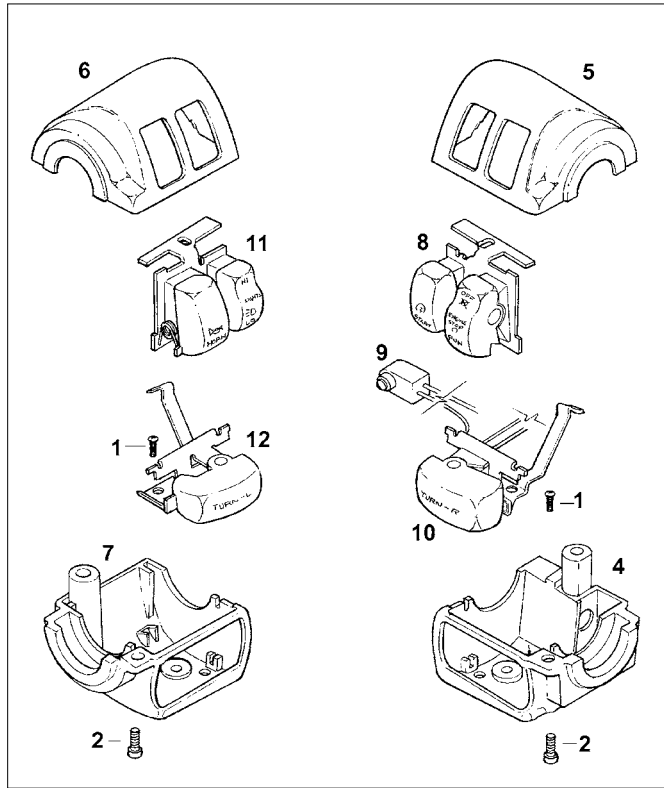


90132

1996-05 Chrome Handlebar Controls

Handlebar mounted controls and switch houses for 1996-on models without cruise control. Supplied as shown, you must reuse your wiring. Not for XL 2004-on, models with hydraulic clutch or radio.

- 90131** With 9/16" bore single disc 1996-05 Dyna and Softail, 1996-03 XL
- 90132** With 11/16" bore dual disc 1996-05 Dyna and Softail, 1996-03 XL and 1996-04 Touring



Switches & Housings for 1996-on

These black switches with white lettering are a direct replacement for OEM housings and each switch includes a cable strap and heat shrink tube, as stock. (not FXCW)

#	PCP	Description
1	24549	Screw (2558)
2	24550	Screw (3658)
4	46008	Chrome lower right housing (71563-96)
5	46009	Chrome upper right housing (71564-96)
6	46012	Chrome upper left housing (71567-96)
7	46013	Chrome lower left housing (71568-96)
8	28487	Engine stop/start switch (71589-96A)
	28492	As above, chrome
9	28488	Stop lamp switch (71590-96)
10	28489	Right turn signal switch 1996-06 FLT (71591-96)
	28494	As above, chrome
11	28490	Dimmer and horn switch (71597-96A)
	28495	As above, chrome
12	28491	Left turn signal switch 1996-06 FLT (71598-96)
	28496	As above, chrome
	29141	Left turn signal 2000-06 (71685-06)
	29142	Right turn signal 2000-06 (71683-06A)



Custom Brake Tees

These chrome plated custom brake tees are made from aluminum and offer a finishing touch to any brake line system.

- 46150** Front tee for 3 inverted flare lines (3/8-24)
- 46151** Front tee for 2 inverted flare lines (3/8-24) and 1 with 1/8" NPT
- 46152** Universal tee with 1/8" NPT in all 3 holes

Handlebar Controls



90222

Touring Handlebar Control Kits 1996-on

Without chrome switches.

PCP	Year	Dual Disc
90208	2008-on	With audio
90217	1996-07	Radio
90221	2008-on	Radio/Cruise
90222	1996-07	With audio



45503

Chrome Control Cover Set 1996-on

Includes clutch lever bracket, handlebar control clamps, master cylinder top and body cover and hardware.

PCP	Disc
45503	Single
45504	Dual

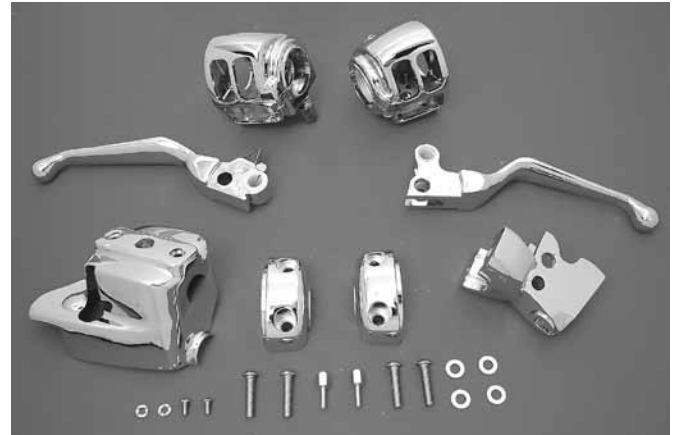


45533

Chrome Control Accessory Kits 1996-on

Kits include clutch lever bracket, handlebar control clamps, master cylinder top and body cover with levers and hardware for disc models as noted.

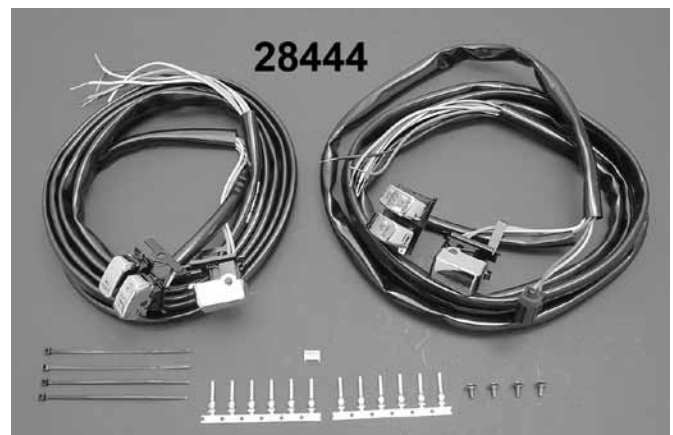
PCP	Fits	Disc
45533	1996-03 XL, 1996-on FX	Single
45534	1996-on FLHT	Dual
45535	1996-on FLHTCU	Dual



Chrome Control and Housing Kit 1996-03

Chrome dress up kit with switch housings for FX, XL models with single disc 1996-03 .

45536



28444

Handlebar Switch Set

PCP	Application
28444	106" 1996-06
28445	XL, FXD 2007-on, chrome
28446	XL, FXD 2007-on, black

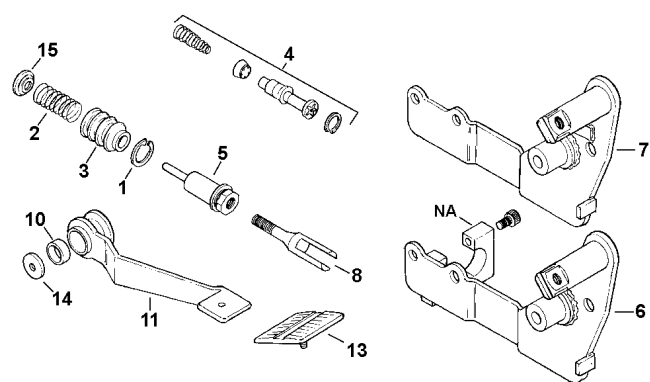
Rear Master Cylinder



Rear Master Cylinder 1982-E87

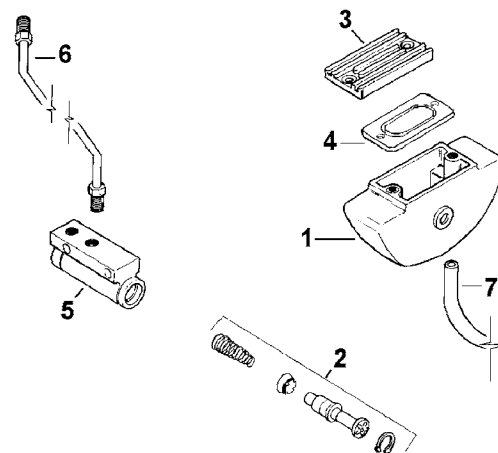
Fits most Big Twin models with 'Girling' rear calipers. Stock replacement on all 1983-E87 FX models (except 1984 FXE). May also be installed on all 1982-E87 FXR models, but the pipe plug on the backside will have to be removed for stop light switch installation.

PCP	Description
46715	Chrome complete w/stop switch holes (42446-82A)
1944	Rebuild kit for above 1982-86 (42382-82)
46714	Complete chrome, no hole 1982-86 (42470-82B)
46777	Natural finish, as above



1984-E87 FXST-FXWG Brake Pedal Parts

#	PCP	Item
1	11084	Boot retaining ring (40918-82) (10)
2	13250	Spring (40920-82) (each)
3	3963	Boot (40922-79) (each)
4	2559	Master cylinder repair kit (42374-82A)
5	61027	Master cylinder plunger (42448-82A)
6	46822	1983-85 Chrome pedal mount plate (42507-82)
7	46823	1986-E87 Chr/pedal mount plate (42507-86)
8	61023	Clevis assembly (42522-82)
9	61024	L87-96 Clevis rod assembly (42522-87A)
10	18600	Pedal bushing (42524-82) (each)
11	46820	Chrome pedal (42515-82)
13	3245	Pedal pad (42532-82)
14	11706	Washer (42531-87) (5 pack)
15	11704	Washer, return (44126-82) (each)



R/Brake Master Cylinder Reservoir 1982-E87

#	PCP	Description
1	46711	Black plastic reservoir body (41804-84A)
	46710	Chrome plastic reservoir body
2	2559	Rebuild kit 1984-86 FXST, 1985-86 FXWG (42374-82A)
3	2387	Chrome cover, ribbed (42376-77A)
4	25148	Gasket (42455-80) (each)
5	46715	Chrome master cylinder (42446-82A)
6	4302	Brake tube 1984-E86 FXST, 1985-86 FXWG (45154-84)
7	3056	Black hose 5/16" x 25'

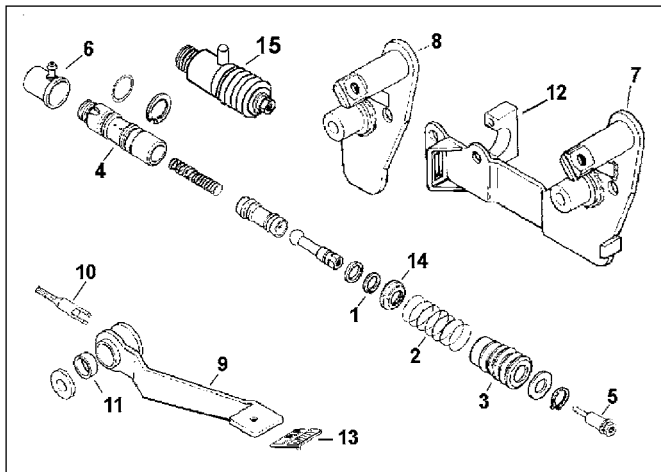


Chrome Rear Master Cylinder 1982-E87

Includes all internal components, boot, cover gasket, and top cover.

PCP	Fits
46782	Complete chrome master cylinder 5/8" bore, FLST 1982-E87 (42453-82A)
46783	As above, plain finish

Rear Master Cylinder



L1987-on FXST-FXWG Brake Pedal Parts

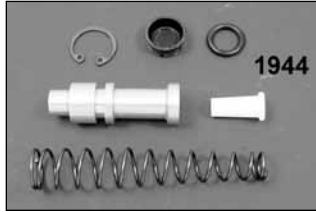
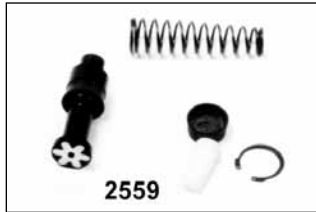
Note: Only pedal and pedal mount plates are chromed.

#	PCP	Description
1	11085	Boot retaining ring (40918-87A) (10 pk)
2	13203	Spring (40920-87) (each)
3	23014	Boot (40922-87) (each)
4	61003	Master cylinder repair kit (42382-87C)
5	61021	Push rod plunger (42448-87)
6	61005	Repair kit, m/cylinder (42452-87)
7	46824	Pedal mount plate w/cyl. mt. L87-89 (42507-87A)
8	46825	Chrome pedal mount 1990-99 (42507-89A)
9	46820	Chrome pedal 1983-99 (42515-82)
10	61024	Clevis rod (42522-87A)
11	18600	Pedal bushing 1982-on (42524-82) (each)
12	N/A	Support 1983-85 FXWG, 1984 FXST (42526-82)
13	3245	Pedal pad 1983-on (42532-82)
14	11705	Washer, return (44126-87) (each)
15	61004	Master cylinder (42446-87A)

BT Complete Rear Master Cylinders 1987-on

PCP	Year	Description	Finish
61004	1987-99	FXST, FXR (42446-87A)	Black
46776	1987-99	Preston as above	Black
46778	1987-99	As above	Chrome
61006	1987-99	FLST-FLSTF (42468-87D)	Natural
46708	1987-99	FLST-FLSTF (42468-87D)	Chrome
13218	1991-99	FLST/F spring only (42479-90)	
61001	1987-91	FLT (41755-86)	Stock
46786	1987-91	FLT (41755-86)	Chrome
61063	1992-94	FLT (41755-92A)	Stock
61066	1995-96	FLT (41755-95)	Black
61067	1997-98	FLT (41755-98)	Stock
61013	2000-05	FXST (41755-99D)	Black
	1999-04	FLT	
46713	As above	Preston as above(41755-99D)	Chrome
61025	2000-05	Master cylinder body	Black
61029	2005-07	Touring & 06-08 FXST (41767-05A)	Stock
63020	2005-07	As #61029	Chrome
46794	2005-07	FLT (41777-05)	Chrome
	2006-07	FXST	
61108	2008-on	FLT (41763-08A)	Stock
46717	2008-on	Touring (41708-08)	Chrome
61014	1990-05	FXD (42474-90A)	Stock
61109	2006-10	FXD (42474-06)	Stock
46795	2006-10	Preston as above	Chrome

Rear Master Cylinder



Chrome Master Cylinder XL 1987-on

- 61016** T/L stock finish 1987-03 (42456-87C)
- 46784** Preston chrome as above
- 61111** T/L stock finish 2004-06 (42521-04)
- 61112** T/L stock finish 2007-09 (42521-07)



Chrome Billet Master Cylinders

These 5/8" bore master cylinders feature Wagner or Kelsey Hayes style mount holes.

PCP	Style	Type
46788	Kelsey Hayes	Inline
46789	Wagner	Offset

Rear Master Cylinder Rebuild Kits

PCP	Years/Models Fit
711	1980-86 FLT (42374-77B)
2559	1983-85 FX 4-speed, 1984-86 FXST-FLST (42374-82A)
1943	1986-91 FLT (42374-86A)
1944	1982-86 All FXR (42382-82A)
1945	L 1987-on FXR-FXST-XL, 1992-07 FLT Dyna 1993-on & XL 1987-04 (42382-87C)
61003	T/L as above
61005	1987-99 Body rebuild T/L (42452-87)
46311	2008-on Touring (42932-08)
61113	2004-06 XL T/L (42810-04)
61114	2007-on XL T/L (not XR1200) (42810-07A)



Chrome Rear Master Cylinder Assembly

Billet assembly is available in 5/8" or 3/4" bore sizes. Features 2-1/4" spacing between mounting bolts, 1/8" NPT brake line fitting, and milled body design. Measures 3-1/2"L x 1-1/4"W x 3"H.

PCP	Size	Item
21659	5/8"	Complete assembly
59319	3/4"	Complete assembly
21684	5/8"	Rebuild kit
21663	3/4"	Rebuild kit



Snap Ring Pliers

Specially designed with long reach fingers for use on master cylinders.
26167

Master Cylinder Covers



Chrome Master Cylinder Reservoir

This chrome-plated ABS plastic reservoir was designed to replace the black Original Equipment item. Fits all Big Twin models with 'Hayes' master cylinders from 1982 to present. When installed in conjunction with a chrome top cover, it makes a striking addition to any late model motorcycle.

PCP Finish

46710 Chrome (41800-81A)

46711 Black (41804-84A)



Chrome Rear Master Cylinder Reservoir Cover

Fits the FXR remote reservoir on Harley rear brake systems 1982-94. Two-way adhesive mounting pad is included on #2051.

45054 Bolt on style

2051 Snap on style

59096 1982-86 FXR



Dyna Glide Rear Master Cylinder Covers

Covers designed by Rick Doss are made from chrome-plated, stamped steel. Fits all Dyna Glide models from 1991-on.

45109 Ribbed

45110 Smooth



Rear Master Cylinder Cover

Fits FLHR and FLHT 1997-99.

45464

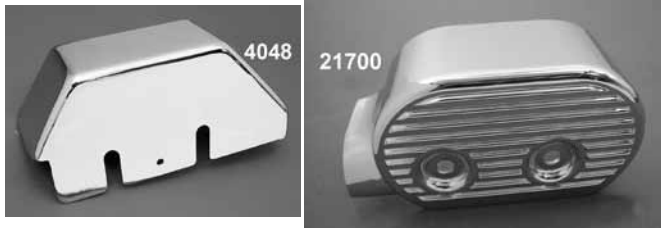


T/L Chrome XL Rear Brake Reservoir Cover

Cover the rear reservoir using this chrome top cover with bar and shield emblem, chrome side cover and chrome mounting hardware. Fits XL 2004 models.

61207 45762-04

Master Cylinder Covers



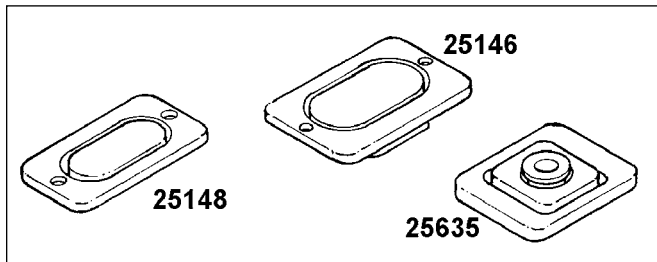
Chrome Rear Master Cylinder Covers

PCP	Application
4048	1986-99 FLST (Preston) (41745-79)
64244	1986-99 FLST (41760-97)
21700	1986-99 FLST Fined cover
64247	2000-06 FL Softail (41815-00)



XL Chrome Master Cylinder Covers

PCP	Description
64202	T/L 1984-03 XL (45286-98)
45174	As above, Preston
4498	1980-03 XLH
45711	1982-03 XL. Kit includes pedal, cover, plunger and hardware.



Master Cylinder & Reservoir Top Gaskets

Front	Description (each)
25148	Master cylinder 1982-84 (42455-80)
25146	Master cylinder 1985-95 (45005-85)
25635	Master cylinder 1996-on, 1996-05 FLT (45005-96)
23098	Master cylinder FLT 2005-07 (46423-05)
25636	Master cylinder XL 2004-on (42805-04)

Rear	Description
25142	Reservoir 1982-E87 (42455-82)
25146	Sportster (45005-85) (ea)



Chrome Rear Master Cylinder Cover

Fits all Softail 2000-on and Touring models 1999-on.

63013	T/L 1999-04 Touring, 2000-05 Softail (45149-99)
44060	Preston as above (no site glass)
63019	T/L 2005-07 Touring, 2006-on Softail (46425-05A)
44130	Preston as above
44107	2008-on Touring

Master Cylinder Covers



45121

Eagle Spirit Master Cylinder Covers

Chrome Covers

- 45121** 1982-85 all front, 1990-on Big Twin rear remote reservoirs (45057-82)
- 45122** 1985-on all front, 1991-on rear Dyna Glide L1987-on, FLST, FLSTC, FLSTF, L1987-on Sportster (45004-85)
- 45119** 1982-E87 rear XL, FXST 1986-E87, FLST (42381-82)
- 45120** 1982-89 XL, BT rear remote reservoirs (42376-77A)

Gold Covers

- 45221** 1982-85 all front, 1990-on Big Twin rear remote reservoirs (45057-82)
- 45220** 1982-89 XL, BT rear remote reservoirs (42376-77A)



Billet Style H/bar Master Cylinder Cap 1985-95

This is a die cast cap but has the look of Billet. Fits front 1985-95 and rear on FLST/F/S models 1987-99.

- 45037** Chromed



44028



44029

Chrome Master Cylinder Cover

Chrome, aluminum master cylinder top covers.

BT 1996-04 models and XL 1996-03.

- 44028** Slotted
- 44029** Stock style with sight glass (45004-96)
- 23041** Rubber gasket w/sight glass (45005-96, 45042-96)
- XL 2004-06**
- 44102** Stock style with sight glass (42313-04)



3619



2387

Master Cylinder Covers

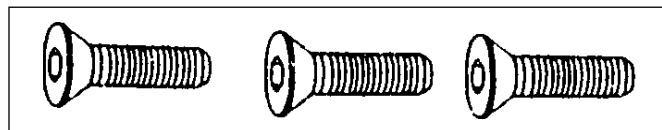
Chrome-plated rib-style master cylinder cover. Fits 1982-85 front master cylinder.

2387

Chrome cover with black painted center. FL, FX, XL 1982-85

3619

Girling master cylinder (45057-82)

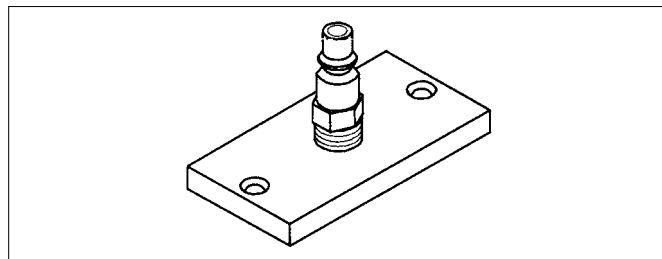


Handlebar Master Cylinder Cover Screws

Counter sunk screws.

PCP Description

- 24547** MC top, 1982-on (2579) (10pk)
- 24528** Points cover (phillips) 1979-on (2625) (25 pk)
- 24529** S/S Reservoir cover (slot) (42534-82) (25 pk)



Low Pressure Master Cylinder Bleeder Covers

Will allow one person to bleed brake lines or to check system for leaks and can drain the entire system to replace brake fluid.

- 26129** Front 1982-95
- 26131** Front 1996-98
- 26130** Custom rear Jay Brake



Chrome Smooth Master Cylinder Cover

Fits 1996-07 front master cylinders.

44092

Twin Cam



Twin Cam Components FXST-FXSTC 2000-06

Brake/shift side components for FXST, FXSTC 2000-06

Brake, FXST

PCP	Description
90202	Kits as pictured
12546	Jam nut (7951)
11085	Retaining ring (40918-87)
13203	Return spring (40920-87)
23014	Pushrod boot (40922-87)
61013	Master cylinder assembly (41755-99D)
46027	Pushrod kit (41957-97)
61053	Foot brake mount (42507-00A)
3245	Brake lever pad (42532-82)
61025	Reservoir (42454-99)
23063	Gasket, reservoir (42455-99)
61042	Chrome brake lever (42515-00A)
11705	Spring retainer (44126-87)
63013	Chrome reservoir cover (45149-99A)
49709	Rear brake line (45156-00)
10516	Grease fitting (50972-75) (10 pk)
18606	Bushing (57215-75) (pair)
25281	Gasket (41731-88A) (10 pk)
24030	Banjo bolt (41747-82A)
1945	Rebuild kit (42382-87C)
10182	Clevis pin (5 pk) (42460-80B)
28203	Stop lamp switch (72023-51C)

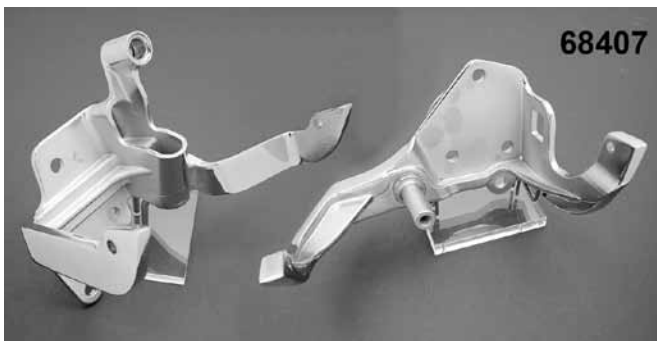


Twin Cam Components 2000-06

Brake/shift side components for FLST/F/S 2000-06 (accepts floor boards)

Brake, FLST

PCP	Description
90203	Chrome kit (black pictured)
12546	Jam nut (7951)
11085	Retaining ring (40918-87)
13203	Return spring (40920-87)
23014	Pushrod boot (40922-87)
61013	Master cylinder assembly (41755-99D)
46027	Pushrod kit (41957-97)
23037	Brake lever pad (42416-83)
61052	Foot brake mount (42431-00)
61025	Reservoir (42454-99)
23063	Gasket, reservoir (42455-99)
61043	Chrome brake lever (42597-00)
11705	Spring retainer (44126-87)
63013	Chrome reservoir cover (45149-99A)
49709	Rear brake line (45156-00)
10516	Grease fitting (50972-75) (10 pk)
18606	Bushing (57215-75) (pair)
25281	Gasket (41731-88A) (10 pk)
24030	Banjo bolt (41747-82A)
1945	Rebuild kit (42382-87C)
10182	Clevis pin (5 pk) (42460-80B)
28203	Stop lamp switch (72023-51C)



Chrome Brake and Shift Mount Plates 2000-06

PCP	Application
68406	Right side FLST 2000-06 (42431-00)
68407	Left side FLST 2000-06 (33630-00)

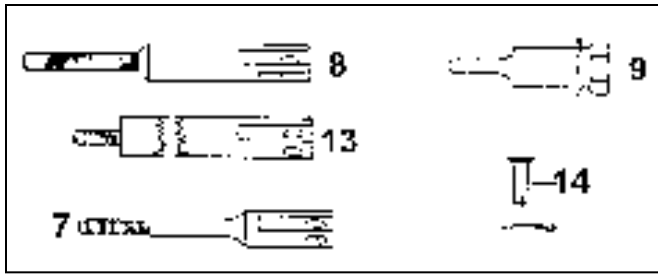


Chrome Brake and Shift Mount Plates 2000-06

PCP	Application
68404	Right side FXST 2000-06 (42507-00A)
68405	Left side FXST 2000-06 (33683-00)

Refer to OEM Parts book for breakdown

Brake Hardware



Brake Plunger Rod and Clevis

To fit all 1958-up Big Twins.

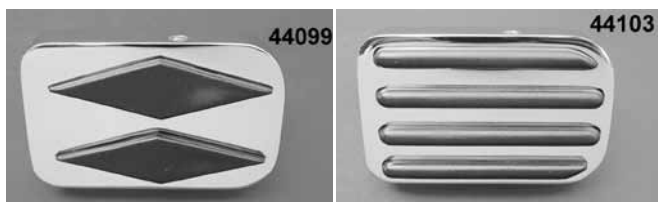
#	PCP	Fits
7	61023	Zinc, 1983-87 FXST clevis (42522-82)
8	61024	Zinc, L1987-96 FXST clevis (42522-87)
9	61027	Zinc, 1984-E87 FXST-FXWG and XL plunger only (42448-82A)
	61021	L1987-96 FXST plunger (42448-87)
11	60007	Cadium, 1987 FXR (42437-87)
13	60009	Chrome 1993-02 FXDG, rod (41955-93)
14	10146	Clevis pin 1970-on (42269-70) (5 pack)
	10182	As above, FLST models (42460-80B) (5 pack)



Chrome Brake Pedal Pad

Features chrome backing for black rubber insert pad. These larger pads offer a larger area that's easier to use.

46800	1983-86 FXWG And 1984-on FXST (not FLST)
46801	3 piece for 1964-84 FL and 1986-E87 FLST, (brake pedal not included)
61089	Skull design 1980-on Touring (42711-04)
61092	Skull design 1984-06 FXST (42710-04)



Iso Brake Pedal Pads

Diecast chromed pedal pads feature rubber inserts to match peg styles.

PCP	Style
44099	Diamond
44103	Rail



Master Cylinder Boot for Harley

PCP	Description
5418	FX 1983-on (42326-82)
3963	XL 1980-03, FLT/HT 1980-86, FXST 1984-86, and FXR 1982-on (40922-79)
23014	FXST 1987-on, FLT 1987-07, XL 1987-03 (40922-87)



Late Plunger Springs

Function as brake pedal return springs on rear mounted master cylinders. Zinc.

PCP	Application
13250	FXWG, FXST 1982-86, XL 1986-E87 (40920-82)
13203	FXST, FLST, Dyna, XL 1987-on, FLT 1987-07 (40920-87)



Hydraulic Brake Switches

Fits all BT models (except 1973 thru 1977 FX) 1971-on and all XL models from 1979-03 (72023-51A).

5674	Accel, flag type 1971-on
28203	Preston, flag type

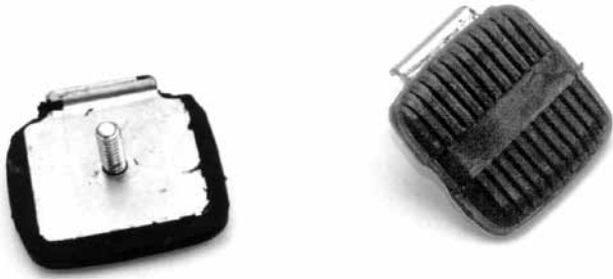


Chrome Steel Brake Tees

Chrome inverted brake tees for custom brake line make-up.

PCP	Application
46153	Center hole inverted flare 3/8"-24 UNF, side tubes 3/8"-24 UNF, mounting hole 5/16" I.D.
46154	Center hole 1/8"-27 NPT, side tubes 3/8"-24 UNF, mounting hole 5/16" I.D.
46155	Center hole & side tubes 1/8"-27 NPT, mounting hole 5/16" I.D.

Brake Pedals



FXST Brake Pedal Rubber

Replaces OEM 42532-82. Stock on all 1983-on FXST's. Pad has 1/4" stud on back that also makes it excellent for other brake pedal applications.

3245



Clevis Pin

Zinc plated pins include cotter pins and washers.

PCP Application

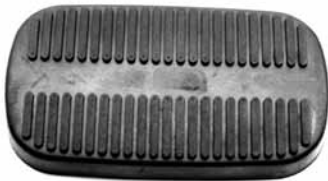
- 10105** Brakes 1982-on, Shifter 1952-84 (42269-30)
10146 Carb/nose 1970-on (42269-70)



Chrome Rear Brake Pivot Cover

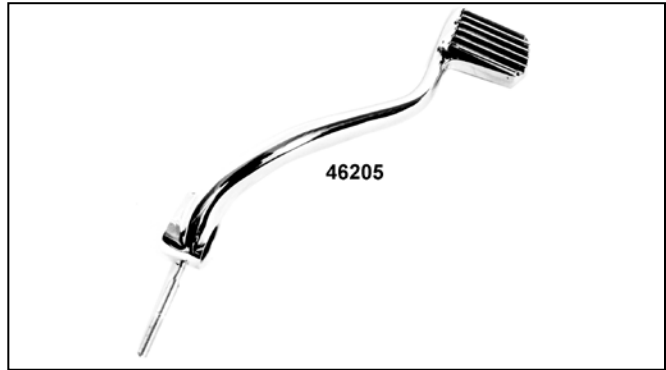
This chrome-plated cover and bevelled washer were designed to cover the pivot point on the brake lever and is held in place by a sockethead screw.

45033 Fits FXWG and Softail® models (except Heritage and Fat Boy®) from 1984-99



Brake Pedal Rubber Only

- 23036** 1991-on
23037 Black pad FLT 1983-90 (42416-83)



Brake Pedals FXR, FXD

Includes rod end and clevis pin.

PCP Description

- 46205** FXR 1982-E87, polish (42523-82)
46208 FXDWG Brake rod 1993-05 (41962-01)
82101 FXDWGI push brake rod 2003-05 (41955-03)



Chrome Flame or Slotted Brake Pedal Cover

63036 Large slotted for Touring 1980-on & FLST 1986-on (42478-95)

63010 Large flame as above (42554-04)

63009 Small flame for FXST 1986-on, FXDWG 1996-on (42841-03)

Chrome Brake Pedal Nut Cover

Installs easily to cover the unsightly nut and washer on floorboard brake pedals. Fits FLST 1986-96.

44118



Chrome Slotted Brake Pedal Cover

Fits 1980-on FLT/HT/HS, FLHR and 1986-on FLSTC/F/N.

63037 42557-95

Brake Pedals

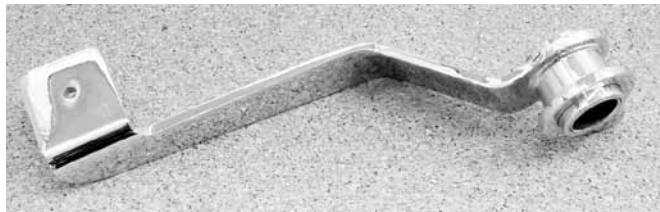


Chrome Adjustable Forward Brake Pedal

Allows multiple positions.

PCP Application

- 46810** 1991-99 FLST, 1996-on FLT
46811 2000-05 FLST



FXST-Type Brake Pedal

Chrome, for stock replacement or our kits.

PCP Type

- 46820** Stock 1983-99 (42515-82)
46821* Custom pedal

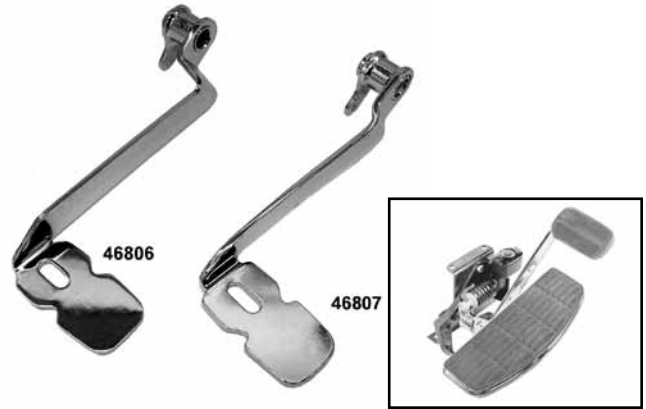
*For our **6309, 6308**



FXST Style Brake Control

Late type forward controls for all 74's & 80's, 1970-on. Use on all FX, designed after the new FXST style. Places foot controls in comfortable position, same as the 1984 models. Includes rubber covered pegs, cast master cylinder, all linkage & parts necessary for installation. Replacement parts including right and left side may be ordered separately.

- 6308** W/Wagner type MC
6309 W/Kelsey Hayes Type MC



Chrome Forward Pedals

Forward pedals allow full use of floorboard as pedal pad is moved to the edge of the board.

PCP Application

- 18606** Pedal bushing (57215-75) (pair)
46806* FLST 2000-01
46807 FLST-FLHT 2002-05 (42597-00)
46808* FLHT 1984-96
63000 T/L FLHT 1987-02 (42407-87C)
46812 FLHT 1997-05 and FLST 1987-99 (2-1/4" Extended)
21754 FLST 1987-99 (2-1/4" Extended)
21755 FLST 2000-05 (2-1/4" Extended)
63007 FLT all 2002-05 (42407-02)
18633 Pedal bushing for above (57217-02) (pair)

*These pedals allow more room than stock, others will give stock location



Chrome Billet Forward Pedals

Custom pedals feature forged construction with milled slots.

PCP Application

- 61077** 2000-on FLSTC/F/S (not for use with OEM 41815-00 master cylinder cover)(42640-03)
61078 2000-on FLSTC/F/S (same length as early FL Softail) (42640-00)
61080 2003-on Dyna w/forward controls (42666-03)
61082 2000-06 FXST (42632-00)



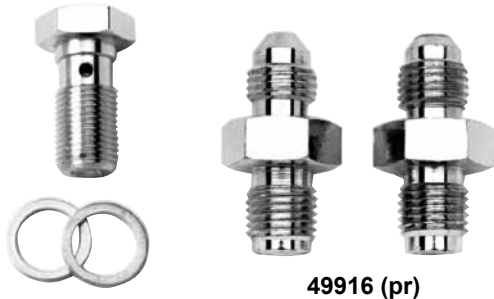
XL Chrome Brake Pedal

- 37517** XL 1980-96 (42459-80) (no linkage)
2661 XL 1980-03 (42459-80B)

Russell Mach3 Street Legal

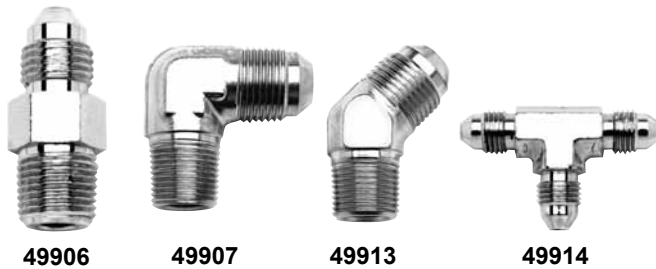
Mach3 Stainless Steel Adapter Fittings

Stainless steel fittings for universal hose assemblies. Adapters are precision CNC machined from billet stainless for extra durability and quick and precise threading into hose ends. Corrosion resistant. Sold each.



49918

49916 (pr)



49906

49907

49913

49914



49911

49908

49915



49903

49904

49902



49909

Universal Stainless Steel Brake Lines (Coated)

Preassembled, all stainless steel hoses are D.O.T. MVSS-106 approved and come ready for adapter fittings. Hoses are made from #3 stainless steel braided hose with an inner Teflon core and a clear coating to resist surface abrasions. Hoses minimize brake line expansion and are suitable for racing and many custom applications.

Straight #3 to Straight #3 Clear Coated Hose Assemblies

PCP	Russel	Length	PCP	Russel	Length
49810	R5801SS	9"	49828	R5819SS	45"
49811	R5802SS	12"	49825	R5816SS	47"
49812	R5803SS	15"	49829	R5820SS	50"
49813	R5804SS	17"	49826	R5817SS	52"
49830	R5821SS	18"	49827	R5818SS	54"
49814	R5805SS	19"	49834	R5827SS	56"
49815	R5806SS	21"	49835	R5828SS	58"
49816	R5807SS	23"	49836	R5829SS	60"
49817	R5808SS	25"	49837	R5830SS	62"
49818	R5809SS	26"	49838	R5831SS	64"
49819	R5810SS	28"	49839	R5832SS	66"
49820	R5811SS	30"	49840	R5833SS	68"
49821	R5812SS	32"	49841	R5834SS	70"
49822	R5813SS	34"	49842	R5835SS	72"
49823	R5814SS	38"	49843	R5836SS	74"
49831	R5824SS	40"	49844	R5837SS	75"
49824	R5815SS	42"	49845	R5838SS	76"
49832	R5825SS	43"	49846	R5839SS	78"
49833	R5826SS	44"	49847	R5840SS	80"

Adapter Fittings, Polished Stainless Steel

PCP	Russell	Application
49900	R4047SS	10mm banjo x #3 male
49901	R4050SS	10mm banjo x #3 male 35 degree
49902	R4051SS	10mm banjo x #3 male 90 degree
49903	R4052SS	12mm banjo x #3 male straight
49904	R4053SS	12mm banjo x #3 male 35 degree
49905	R4054SS	12mm banjo x #3 male 90 degree
49906	R4244SS	#3 male x 1/8 pipe male straight
49907	R4279SS	#3 male x 1/8 pipe male 90 degree
49908	R4281SS	3/8"-24 I.F. male x #3 45 degree
49909	R4282SS	3/8"-24 I.F. male x #3 90 degree short
49911	R4284SS	3/8"-24 I.F. male x #3 150 degree
49913	R4293SS	#3 male x 1/8 pipe male 45 degree
49914	R4298SS	#3 male brake tee
49915	R4380SS	Harley junction fitting 120 X 90 degrees
49916	R4396SS	#3 male x 3/8 I.F. male straight SS (pair)
73596	Imported	Chrome 3/8-24 male inverted, flare (pr)
49917	R40509SS	Banjo bolt 3/8"-24
49918	R40515SS	Banjo bolt 7/16"-24

Brake Hoses

FRONT FX MODELS

	PCP	OEM	Description
FXR	4269	45124-83	Complete (STD) 1983-on
	49515	45121-88A	Complete (STD) 1986-1992
FXRS	4259	45121-84	Complete (STD) 1984-94
FXRT	4271	45128-84	Complete (STD) 1984
	4272	45128-85	Complete (STD) 1985
	4259	45121-84	Complete (STD) 1985
FXSB	4273	45124-84	Complete (STD) 1984-85
FXST	4274	45112-84A	Complete (STD) 1984-99
	49502		Same as above +2"
	4275		Same as above +4"
FXWG	4279	45113-84	Complete (STD) 1984-86
	49511		Same as above +2"
	4310		Same as above +4"
FXSTS	49525	45110-88A	Complete (STD) L1988-95
	49526		Same as above +6"
FXSTSB	49534	45115-95	STD 1996-on

FRONT FL MODELS

	PCP	OEM	Description
FLH-80	4282	42304-82	Complete (STD) 1982-84
FLST	4879	42305-86	FLST 1986-on
	49528	42303-89A	FLSTF 1990-95
	49531	45091-97	FLSTS 1997-03

FRONT SPORTSTER MODELS

	PCP	OEM	Description
XLS	4263	45130-84	Complete (STD) 1984-on
XR 1000	4880	45121-96A	XL 883 1986-99

Rear FX MODELS

	PCP	OEM	Description
FXEF	4298	42320-82	Tube (STD) 1985
FXR	4299	40956-82	Hose (STD) 1982-E87
	49703	40956-87	FXR models L1987-94 (M/CYL to Caliper)
FXRS	4299	40956-82	Hose (STD) 1982-on
FXRT	4299	40956-82	Hose (STD) 1982-on
FXSB	4298	42320-82	Tube (STD) 1983-85
FXWG	4301	41004-82	Tube (STD) 1983-86
	4302	45154-84	Tube (STD) 1985
FXST	49700	45156-84	FXST, FXSTC, FLSTC 1984-E87 (Tee to Caliper)
	49701	45156-87A	FXST, FXSTC, FLSTC L1987-88 (M/CYL to Caliper)
	49702	45156-89D	FXST, FXSTC, FXSTS 1989-99 (M/CYL to Caliper)

Rear FL MODELS

	PCP	OEM	Description
FLH	4305	40912-84	Hose (STD) 1984-86
FLT	4309	40971-84A	Hose (STD) 1984-85
FLHT	4309	40971-84A	Hose (STD) 1984-85
FLSTC	49700	45156-84	Hose (STD) 1984-E87

REAR SPORTSTER MODELS

	PCP	OEM	Description
XLH	49707	44438-86	1986-E87
CR 1000	49708	44438-87A	XL models L1987-92 M/CYL to Caliper)



Front Chrome Brake Line Clamp

Mounts under triple tree to secure stainless steel brake line. Has a 1/4 x 20 mount hole.
73532



Russell -3 to -3 Brake Safety Switch

PCP	Application
49912	-3 with bracket
49920	-3 without bracket



Russell Master Cylinder Adapter

PCP	Description
49921	-3 hose end
49922	-3 hose flare end

T/L Chrome Billet Brake Line Clip 2000-on

These ball milled clips install in the factory position and are sized for most original and aftermarket brake lines. Includes chrome plated mounting hardware.

PCP	Application
61230	Original style brake lines on 2000-on FXST, FXSTB, FXSTD and FXDWG models (91336-03)
61231	Braided brake lines on 2000-on FXST, FXSTB, FXSTD and FXDWG models (91364-03)